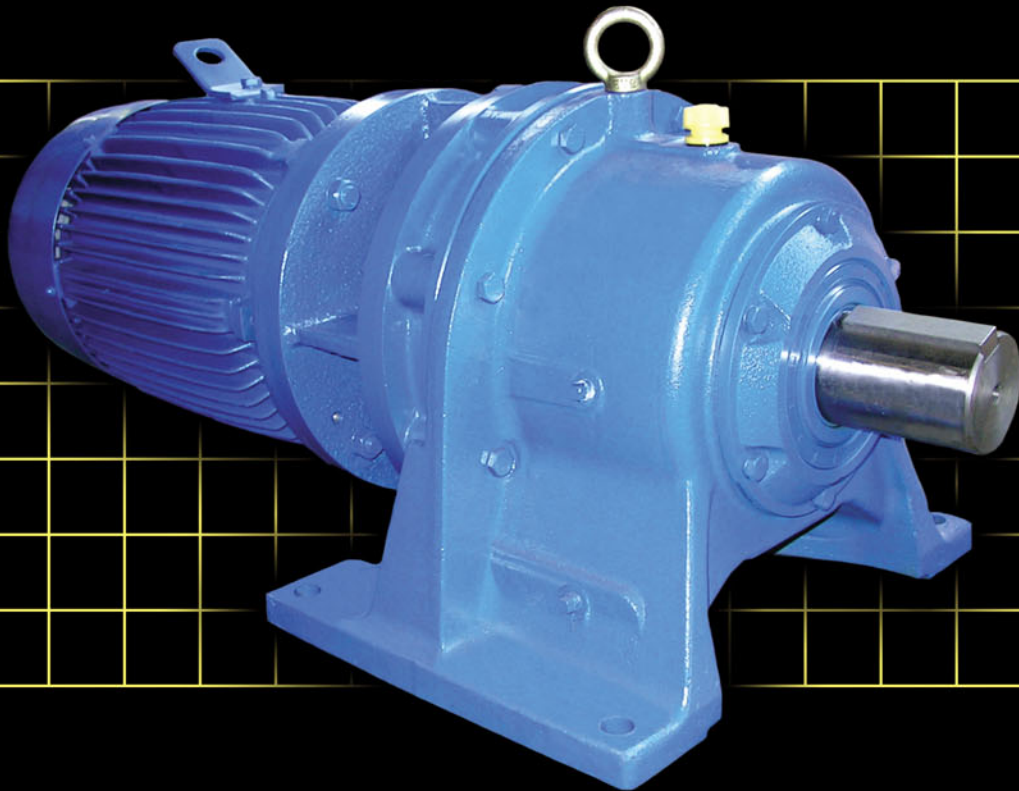


TRANSCYKO®

CYCLOIDAL SPEED REDUCERS

600 SERIES

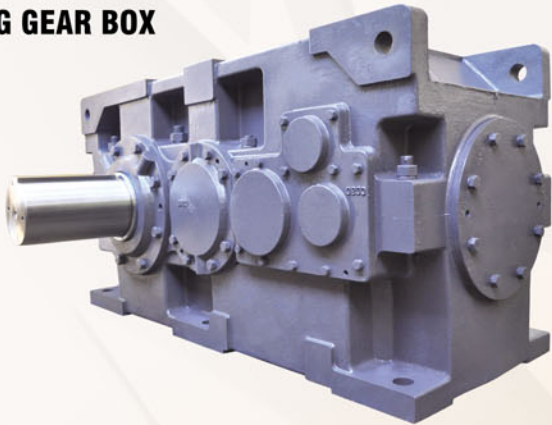


Transmission Machinery Co., Ltd
ISO 9002 Registered Company



TRANSCYKO PRODUCT SERIES

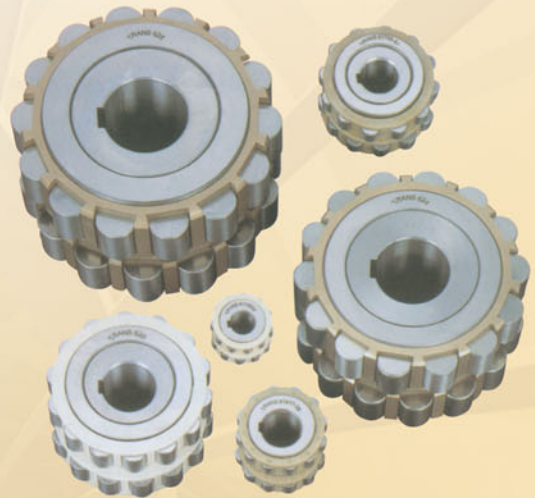
TSG GEAR BOX



GEAR MOTOR



**CYCLOIDAL
SPEED REDUCERS**

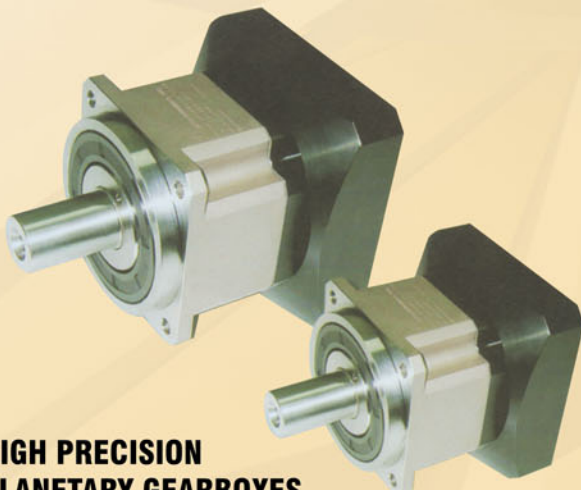


ECCENTRIC BEARING

**WHEEL
REDUCERS**



**HIGH PRECISION
PLANETARY GEARBOXES**

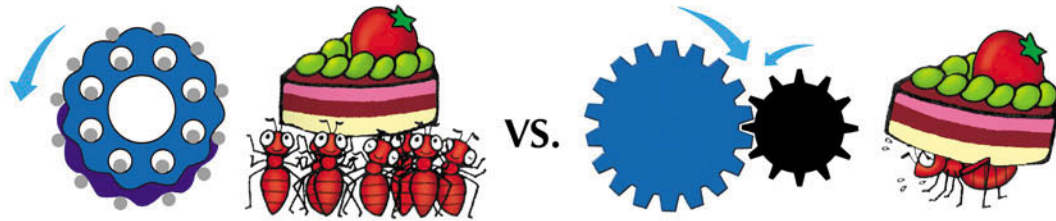


**VARIABLE
SPEED DRIVES**





By replacing more conventional helical, worm and spur gear units throughout the world, TRANSCYKO 600 series High-Efficiency Speed Reducers has proven itself in a wide variety of applications.



ADVANTAGES

High Efficiency

The superior cycloidal design over conventional gear tooth design, with all torque transmitting parts operate in compression, allows for many teeth to share the load. Cycloidal teeth transmit torque by rolling from one element to another. There is no sliding friction as in conventional gear reducers. This design eliminates sliding friction and creates a vibration-free operation. High efficiencies are reached in excess of 90% in single stage reduction units and 80% plus in double stage reduction units. TRANSCYKO Speed Reducers can make your individual applications more productive and efficient.

Overload Protection

The TRANSCYKO cycloidal tooth design maximizes 67% tooth contact. The loadsharing capabilities eliminates gear teeth being sheared of and provides an overload protection of 500%.

Warranty

Exceptionally versatile engineering and manufacturing capabilities enable us to offer TRANSCYKO Speed Reducers for virtually any industrial application. Every TRANSCYKO Speed Reducers receives our standard 24 month warranty. Proper selection and correct maintenance will provide the end-user with unequaled service life for many years.

FEATURES

A Wide Range of Models for Every Need

TRANSCYKO provides a wide range of Speed Reducers in combinations of sizes, ratios, input horsepower, mountings and configurations. High reduction ratios 6:1 through 119:1 per single stage, through 7569:1 double and almost up to 1,000,000:1 triple reductions. Input horsepower from 1/16 to over 200 H.P., Output torque exceeds 6,000Kg-m (500,000 in-lbs).

A wide variety of horizontal and vertical mounts with various IEC/NEMA input adaptors for maximum installation ease.* TRANSCYKO housings are manufactured from ductile iron for ultimate durability. The power transmitting internals are manufactured from bearing steel 52100 series, through hardened and tempered to Rockwell Rc. 59 - 62.

These manufacturing features have produced a very compact reducer compared to conventional helical reducers for similar applications. Since we can now provide a smaller compact reducer, with high efficiency, this allows us to use a smaller size motor to provide the same output torque rating as previously required. We have this compact motor designed for integral coupling with our TRANSCYKO Speed Reducers.

Quiet and Smooth Running

Compared with conventional gear tooth reducers, the cycloidal design uses hardened and polished rolling elements to provide a very quiet and smooth running reducer with minimum vibration levels.

Ideal for Stop/Start and Reversing Operation

TRANSCYKO Speed Reducers are manufactured to very high tolerance levels, when combined with our low inertia levels, are well suited for all dynamic situations.

Economical

Our reducers are competitively priced compared to conventional gear reducers, they have lower operating costs because of longer life cycles and minimum maintenance.

Quality

We are committed to delivering high quality TRANSCYKO Speed Reducers to the marketplace. We have demonstrated this commitment through process improvement and ISO registration. We offer additional value through our extensive machining and engineering capabilities, in conjunction with our proven on-time delivery and short lead-time.

* Sizes : 607 to 619 are Cast Iron
Sizes : 620 to 627 are Ductile Iron

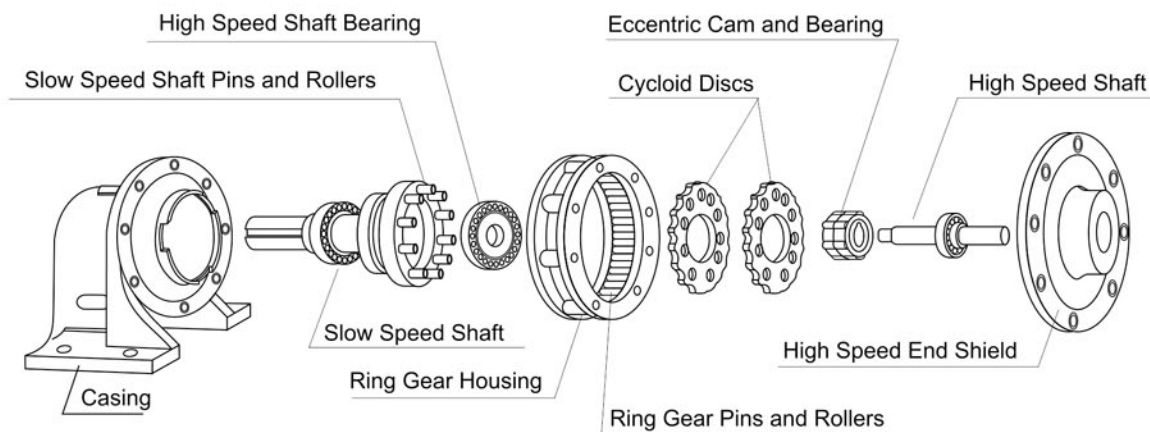
PRINCIPLE OF OPERATION

The cycloidal design basically has three major components.

[1] Input shaft assembly (high speed) with eccentric cam, roller bearing and seals.

[2] Cycloid discs.

[3] Output shaft assembly (slow speed) with support bearings and seals.



Torque transmitted to the high speed shaft rotates the eccentric cam and roller bearing assembly, and rolls the cycloid discs around the internal circumference of the stationary ring gear housing.

The teeth of the cycloid discs contact the pins of the stationary ring gear, producing a reverse rotation at a reduced speed. Each rotation of the high speed shaft advances the cycloid discs a distance of one tooth pitch in the opposite direction.

The reduced rotation of the cycloid discs is transmitted to the output shaft assembly by means of drive pins and rollers, that are projected through holes located around the bore of the cycloid discs.

LUBRICATION AND MAINTENANCE

Mounting

Horizontal and vertical oil lubricated drives should be mounted in a level and plumb plane to ensure proper lubrication.

Grease and oil lubrication systems are adopted subject to the size and ratio of TRANSCYKO Speed Reducer. Please refer to the tables shown below.

One stage reduction	Frame Nr.	607	608	609	610	611	612	613	614	615	616	617	618	619	620	621	622	623	624	625	626	627		
	Horizontal Type	Grease (Maintenance - Free)										Oil - Bath												
	Vertical Type	Grease (Maintenance - Free)										Oil - Bath				Forced - Oil Lubrication(P)							(TP)	
Double-reduction	Frame Nr.	607/07	610/08	613/08	614/08	616/09	617/08	618/10	616/11	617/11	618/13	619/11	620/11	621/13	622/13	623/16	624/16	625/17	626/19	627/19				
	Horizontal Type	Grease (M.F)				Grease (Replenish)				Oil Bath														
	Ratio									~ 473	~ 841	~ 1015	~ 2065	~ 2537							Forced - Oil Lubrication(P) (TP)			
	Vertical Type	Grease (M.F)				Grease (Replenish)				Forced - Oil Lubrication(P)														
	Ratio									559	1003	1247	2537	3045										
									Grease (Replenish)															

Grease Lubricated Reducers

Are factory packed and ready for operation. Maintenance - Free grease lubricated units are filled with specially designated long-life grease assure maintenance free operation, replenishment is unnecessary, but replacement in every 20,000 hours of operation of every 4 - 5 years intervals is recommended for longer service life.



For those grease lubricated units other than Maintenance - Free types, please replenish or replace according to the service manual. The mixture of the two types of grease is permissible.

Recommended Grease Lubricants for TRANSCYKO Speed Reducers

Ambient Temperature °C (°F)	Maintenance - Free Grease	Replenish Grease	Electric Motor
- 15°C (5°F) 50°C (122°F)	Shell Alvania Grease RA or equivalent	Shell Alvania Grease no. 2, Cosmo Grease Dynamax SH no. 2 or equivalent	Shell Alvania Grease no. 2, or Equivalent

Oil Lubricated Reducers

Are factory filled to the correct level. Please be sure to double check the oil level or the red line of the oil gauge before operating. Mild EP Oil is recommended for the lubrication of TRANSCYKO Speed Reducer.

Recommended Oil Brand and Specifications (or equivalent)

Ambient Temperature °C (°F)	Shell Oil	Mobil Oil	BP Oil	Esso Oil	Gulf Oil	Caltex Oil	SAE Grade	AGMA Grade
- 15°C ~ 5°C (5°F ~ 41°F)	Omala Oil 86	Mobil gear 626 (ISO VG 68)	Energol GR-xp 46 GR-xp 68	Spartan EP 68	EP Lubricant HD 68	Meropa 68	80W	2EP
0°C ~ 35°C (32°F ~ 95°F)	Omala Oil 100,150	Mobil gear 627 629 (ISO VG 100~150)	Energol GR-xp 100 GR-xp 150	Spartan EP 100 EP 150	EP Lubricant HD 100 HD 150	Meropa 100,150	80W 90	3EP 4EP
30°C ~ 50°C (86°F ~ 122°F)	Omala Oil 220, 320, 460	Mobil gear 630 632, 633, 634 (ISO VG 200~460)	Energol GR-xp 220 GR-xp 320 GR-xp 460	Spartan EP 220 EP 320 EP 460	EP Lubricant HD 220 HD 320 HD 460	Meropa 220, 320, 460	90 140	5EP 7EP

* use lower viscosity oil for winter or relatively low ambient temperature.

There are two types of Forced - Oil Lubrication for vertical units:

1. Plunger Pump Lubrication [P] is driven by a cam fitted on the slow speed shaft automatically.
2. Trochoid Pump Lubrication [TP]: The Oil circulation is conducted by an independent operation of pump and motor. This table shows the application of Trochoid Pump Lubrication.

TRANSCYKO Speed Reducers		Trochoid Pump	
Frame Size		Pump Type	Pump Motor
Single Stage	627	TOP - 216HA	0.75kw(1HP), 4p
Double Stage	627/19	TOP - 204HA	0.4kw(1/2HP), 4p

Oil Change Interval

Under all conditions, every TRANSCYKO unit needs an initial oil change after 500 hours of primary operation. The subsequent oil change interval will depend on the operational conditions.

Every 6 months	less than 10 hours / day operation
Every 2500 hours	10 ~ 24 hours / day operation
Every 1 ~ 3 months	heavy operation condition such as high ambient temperature & high humidifies

For specific details of lubrication and maintenance, please refer to the Operating and Maintenance Manual.

TRANSCYKO Gearmotors		TRANSCYKO Speed Reducers	
<p>THHM(THM)</p>	<p>THVM(TVM)</p>	<p>THH(TH)</p>	<p>THV(TV)</p>
<p>TDHM(THM)</p>	<p>TDVM(TVM)</p>	<p>TDH(TH)</p>	<p>TDV(TV)</p>
<p>TUHM(THM)</p>	<p>TUVM(TVM)</p>	<p>TUH(TH)</p>	<p>TUV(TV)</p>
<p>THHXM(THXM)</p>	<p>TDVXM(TVXM)</p>	<p>THHX(THX)</p>	<p>TDVX(TVX)</p>
<p>THHCM(THCM)</p>	<p>TDVCM(TVCM)</p>	<p>THHC(THC)</p>	<p>TDVC(TVC)</p>
<p>THHTM</p>		<p>THHT</p>	



(Allowable Transmission Input - Output Capacity)

Ratio 6

Input Speed (R.P.M.)	1800		1500		1200		1000		900		750		600		50 and Below
Output Speed (R.P.M.)	300		250		200		167		150		125		100		8.3 and Below
Frame Size	Input kW HP	Output Torque kg. m. / in. lb	Input kW HP	Output Torque kg. m. / in. lb	Input kW HP	Output Torque kg. m. / in. lb	Input kW HP	Output Torque kg. m. / in. lb	Input kW HP	Output Torque kg. m. / in. lb	Input kW HP	Output Torque kg. m. / in. lb	Input kW HP	Output Torque kg. m. / in. lb	Output Torque kg. m. / in. lb
608	0.42 0.56	1.25 108	0.40 0.54	1.43 124	0.36 0.48	1.61 140	0.33 0.44	1.79 156	0.31 0.42	1.85 161	0.27 0.36	1.95 169	0.22 0.30	2.00 178	2 178
609	1.34 1.80	4.05 325	1.33 1.78	4.80 417	1.13 1.52	3.10 443	1.00 1.34	5.40 469	0.94 1.26	5.65 491	0.83 1.11	5.98 520	0.71 0.95	6.40 556	7 608
610	2.26 3.03	6.81 592	2.21 2.96	8.0 695	1.86 2.49	8.4 720	1.73 2.32	9.4 816	1.69 2.27	10.2 896	1.52 2.04	11.1 964	1.33 1.78	12.2 1043	15 1304
611	4.88 6.54	14.7 1277	4.96 6.65	17.9 1556	4.25 5.70	19.2 1668	3.78 5.07	20.5 1781	3.50 4.69	21.1 1834	3.49 4.14	22.3 1938	2.69 3.61	24.3 2112	30 2607
612	6.78 9.09	20.1 1747	6.62 8.88	23.9 2077	5.85 7.84	26.4 2294	5.13 6.84	27.8 2416	4.73 6.34	28.5 2477	4.04 5.42	29.2 2537	3.30 4.92	29.8 2590	30 2607
613	9.97 13.4	30.0 2607	9.97 13.4	36.0 3128	8.64 11.6	39.0 3389	7.59 10.2	41.1 3572	6.98 9.36	42.0 3650	6.19 8.30	44.7 3884	5.32 7.13	48.0 4171	61 5301
615	13.0 17.4	39.1 3398	13.0 17.4	46.8 4067	11.2 15.0	50.6 4397	9.97 13.4	54.0 4693	9.22 12.4	55.5 4823	8.25 11.1	59.6 5179	6.73 9.62	60.8 5284	61 5301
616	14.6 19.6	43.9 3810	14.6 19.6	52.7 4574	12.5 16.8	56.3 4887	11.0 14.8	59.5 5165	10.2 13.7	61.4 5330	9.00 12.1	64.8 5625	7.70 10.3	69.3 6015	70 6076
617	22.5 30.2	67.6 5868	21.4 28.9	77.2 6701	18.4 24.7	82.6 7170	16.1 21.6	87.2 7569	15.0 20.1	90.0 7812	13.2 17.7	95.1 8255	11.3 15.2	102 8854	110 9548

Ratio 8

Input Speed (R.P.M.)	1800		1500		1200		1000		900		750		600		50 and Below
Output Speed (R.P.M.)	225		188		150		125		113		94		75		6.3 and Below
Frame Size	Input kW HP	Output Torque kg. m. / in. lb	Input kW HP	Output Torque kg. m. / in. lb	Input kW HP	Output Torque kg. m. / in. lb	Input kW HP	Output Torque kg. m. / in. lb	Input kW HP	Output Torque kg. m. / in. lb	Input kW HP	Output Torque kg. m. / in. lb	Input kW HP	Output Torque kg. m. / in. lb	Output Torque kg. m. / in. lb
608	0.42 0.54	1.62 141	0.42 0.54	1.93 168	0.39 0.52	2.34 203	0.37 0.50	2.69 233	0.34 0.46	2.77 240	0.30 0.40	2.92 253	0.26 0.35	3.15 273	4 348
609	1.34 1.80	5.40 469	1.35 1.81	6.49 563	1.16 1.56	6.98 606	1.02 1.37	7.38 640	0.95 1.27	7.60 660	0.83 1.11	8.04 698	0.72 0.96	8.63 749	11 956
610	2.26 3.03	11.1 963	2.21 3.03	13.1 1137	2.32 3.11	14.0 1215	2.08 2.79	15.0 1302	1.91 2.56	15.3 1328	1.71 2.29	16.5 1432	1.45 1.94	17.5 1519	21 1823
611	5.10 6.72	20.1 1745	5.02 6.73	24.2 2100	4.30 5.77	25.9 2248	3.76 5.04	27.2 2361	3.52 4.72	28.3 2456	3.10 4.16	29.9 2595	2.64 3.54	31.8 2760	41 3559
612	6.78 9.09	27.2 2361	6.83 9.16	32.9 2856	5.83 7.82	35.1 3047	5.12 6.67	37.0 3212	4.81 6.45	38.6 3350	4.22 5.66	40.6 3524	3.39 4.54	40.8 3541	41 3559
613	10.0 13.4	40.2 3489	10.0 13.4	48.2 4184	8.65 11.6	52.1 4522	7.66 10.3	55.3 4800	7.01 9.40	56.3 4887	6.35 8.52	61.2 5312	5.40 7.24	65.0 5642	77 6684
615	12.9 17.3	51.9 4505	13.0 17.4	62.7 5442	10.9 14.6	65.8 5711	9.79 13.1	70.7 6137	9.08 12.2	72.9 6328	8.00 10.7	77.0 6684	6.81 9.13	82.0 7188	82 7118
616	17.9 24.0	71.8 6232	17.8 23.9	85.7 7439	16.9 22.7	102 8854	15.1 20.2	109 9461	13.9 18.6	112 9722	12.4 16.6	120 10416	10.5 14.1	127 11024	153 13280

Ratio 11

Input Speed (R.P.M.)	1800		1500		1200		1000		900		750		600		50 and Below
Output Speed (R.P.M.)	164		136		109		91		82		68		55		4.5 and Below
Frame Size	Input kW HP	Output Torque kg. m. / in. lb	Input kW HP	Output Torque kg. m. / in. lb	Input kW HP	Output Torque kg. m. / in. lb	Input kW HP	Output Torque kg. m. / in. lb	Input kW HP	Output Torque kg. m. / in. lb	Input kW HP	Output Torque kg. m. / in. lb	Input kW HP	Output Torque kg. m. / in. lb	Output Torque kg. m. / in. lb
607	0.24 0.32	1.32 115	0.24 0.32	1.61 140	0.21 0.28	1.72 149	0.18 0.24	1.80 156	0.17 0.23	1.88 163	0.15 0.20	1.98 172	0.31 0.17	2.10 182	2.5 217
608	0.40 0.54	2.20 191	0.40 0.54	2.64 229	0.40 0.54	3.27 284	0.37 0.50	3.72 323	0.34 0.46	3.80 330	0.30 0.40	4.00 347	0.25 0.34	4.16 361	5.1 443
609	1.21 1.62	6.70 582	1.22 1.64	8.10 703	1.04 1.39	8.65 751	0.92 1.23	9.14 793	0.83 1.15	9.46 821	0.75 1.00	9.97 865	0.64 0.86	10.6 920	11 955
610	2.70 3.62	14.9 1293	2.72 3.65	18.0 1562	2.32 3.11	19.2 1666	2.05 2.75	20.4 1771	1.88 2.52	20.8 1805	1.57 2.10	20.8 1805	1.26 1.69	20.9 1814	21 1823
611	4.98 6.68	27.5 2387	5.03 6.74	33.3 2890	4.26 5.70	35.3 3064	3.76 5.04	37.4 3246	3.57 4.79	39.4 3420	3.13 4.20	41.5 3602	2.69 3.61	44.6 3871	51 4427
612	4.96 6.65	27.4 2378	5.07 6.80	33.6 2516	4.34 5.82	35.9 3116	3.78 5.07	37.6 3264	3.59 4.81	39.6 3437	3.16 4.24	41.9 3637	2.72 3.65	45.0 3906	51 4427
613	9.77 13.1	53.9 4678	9.69 13.0	64.2 5572	8.40 11.3	69.5 6033	7.37 9.88	73.2 6354	6.82 9.14	75.3 6536	5.78 7.75	76.6 6649	4.64 6.22	76.8 6666	77 6684
614	9.93 13.3	54.8 4757	9.84 13.2	65.2 5659	8.50 11.4	70.4 6110	7.50 10.0	74.5 6467	7.02 9.41	77.5 6727	6.15 8.25	81.4 7066	5.31 7.12	87.9 7630	103 8940
615	12.9 12.3	71.2 6180	13.0 17.4	85.9 7456	11.1 14.9	92.1 7994	9.70 13.0	96.4 8368	8.90 11.9	98.2 8524	7.70 10.3	102 8854	6.16 8.26	102 8854	103 8940
616	17.8 23.5	98.5 8550	18.1 24.3	120 10416	17.2 23.1	142 12326	14.9 20.0	148 12846	13.5 18.1	149 12933	11.2 15.0	149 12933	9.06 13.1	150 13020	150 13020
617	26.8 35.9	148 12846	27.0 36.2	179 15537	22.6 30.3	187 16232	19.5 26.2	194 16839	18.5 24.8	204 17707	16.2 21.7	214 82575	13.9 18.6	230 19964	255 22134
618	32.4 43.4	179 15537	32.3 43.2	214 18575	33.0 44.2	273 23696	29.2 39.2	290 25172	27.4 36.7	302 26214	23.7 31.8	314 27255	20.2 27.1	335 29078	335 29078
619	43.3 58.1	239 20745	43.3 58.1	287 24912	39.7 53.2	329 28557	35.2 47.2	350 30380	32.6 43.7	360 31248	28.8 38.6	375 33158	24.8 33.2	410 35588	570 9476
620	57.8 77.5	319 27689	57.7 77.4	282 33158	52.4 70.3	434 37671	49.9 62.9	466 40449	44.1 59.1	487 42272	38.6 51.8	512 44442	32.3 43.3	535 46438	570 49476
621	69.6 93.3	384 33331	69.8 93.6	462 40102	67.6 90.6	560 48608	61.5 82.5	611 53035	57.9 77.6	639 55465	52.1 69.9	690 59892	43.4 58.2	718 62322	730 63364
622	96.0 129	530 46004	96.5 129	639 55465	86.6 116	742 64406	80.5 108	800 69440	75.6 101	835 72478	68.9 91.2	901 78207	58.2 78.0	964 83675	970 84196
623					92.3 124	764 66315	92.7 124	921 79943	92.4 124	1020 88536	80.2 108	1062 92182	68.8 92.3	1139 98865	1140 98952
624					117 157	969 84109	117 157	1159 100601	117 157	1295 112406	104 139	1372 119090	87.0 117	1440 124992	1440 124992
625					141 189	1168 101382	141 189	1399 121433	142 190	1562 135582	138 186	1829 158757	110 148	1830 158844	1830 158844
626					166 223	1375 119350	167 224	1658 143914	168 225	1855 161014	169 227	2234 193911	142 190	2350 203980	2350 203980

SELECTION TABLE FOR SINGLE STAGE REDUCERS

TRANSCYKO®



Ratio 13

Input Speed (R.P.M.)	1800		1500		1200		1000		900		750		600		50 and Below
Output Speed (R.P.M.)	138		115		92		77		69		58		46		3.8 and Below
Frame Size	Input kW HP	Output Torque kg. m. / in. lb	Input kW HP	Output Torque kg. m. / in. lb	Input kW HP	Output Torque kg. m. / in. lb	Input kW HP	Output Torque kg. m. / in. lb	Input kW HP	Output Torque kg. m. / in. lb	Input kW HP	Output Torque kg. m. / in. lb	Input kW HP	Output Torque kg. m. / in. lb	Output Torque kg. m. / in. lb
607	0.24 0.32	1.60 139	0.24 0.32	1.88 163	0.20 0.27	1.98 172	0.18 0.24	2.10 182	0.16 0.21	2.16 187	0.15 0.20	2.30 200	0.12 0.16	2.46 214	2.5 217
608	0.40 0.54	2.60 226	0.40 0.54	3.12 271	0.39 0.52	3.79 329	0.36 0.48	4.29 372	0.34 0.46	4.42 384	0.30 0.40	4.70 408	0.26 0.35	5.01 435	5.1 443
609	1.20 1.61	7.81 678	1.20 1.61	9.42 818	1.03 1.38	10.1 877	0.89 1.19	10.5 911	0.84 1.13	10.9 946	0.70 0.94	10.9 946	0.56 0.75	11.0 955	11 955
610	2.64 3.54	17.2 1493	2.66 3.57	20.8 1805	2.13 2.86	20.8 1805	1.77 2.37	20.8 1805	1.59 2.13	20.8 1805	1.33 1.78	20.8 1805	1.07 1.43	21.0 1823	21 1823
611	4.98 6.52	31.7 2752	4.88 6.54	38.2 3316	4.19 5.62	41.0 3559	3.67 4.92	43.1 3741	3.37 4.52	44.0 3819	3.00 4.02	46.09 4071	2.56 3.43	50.2 4357	51 4427
612	5.00 6.70	32.6 2830	5.00 6.70	39.1 3394	4.30 5.77	42.1 3654	3.82 5.12	44.8 3889	3.54 4.75	46.2 4010	3.06 4.10	47.9 4158	2.58 3.46	50.5 4383	51 4427
613	9.25 12.04	60.3 5234	9.21 12.4	72.1 6258	7.84 10.5	76.7 6658	6.54 8.77	76.8 6666	5.90 7.91	77.0 6684	4.92 6.60	77.0 6684	3.94 5.28	77.0 6684	77 6684
614	9.74 13.1	63.5 5512	9.72 13.0	76.1 6605	8.29 11.1	81.1 7039	7.38 9.90	86.7 7526	6.94 9.31	90.5 7855	6.02 8.07	94.3 8185	5.11 6.85	100 8680	103 8940
615	10.2 13.7	66.2 5746	10.3 13.8	80.6 6996	8.72 11.7	85.3 7404	7.66 10.3	89.9 7803	7.06 9.47	92.1 7994	6.16 8.26	96.5 8376	6.26 7.05	103 8940	103 8940
616	17.0 22.8	111 9635	17.0 22.8	133 11544	14.6 19.6	143 12412	12.9 17.3	152 13194	11.9 16.0	155 13454	10.5 14.1	165 14322	9.05 12.1	177 15364	183 15884
617	26.8 35.9	175 15190	26.7 35.8	209 18141	22.6 30.3	221 19183	20.4 27.4	239 20745	18.8 25.2	245 21266	16.6 22.3	260 22568	14.2 19.0	278 24130	278 24130
618	33.0 44.2	215 18662	33.1 44.4	259 22481	31.6 42.4	309 26821	27.9 37.4	328 28470	26.0 34.9	339 29425	22.9 30.7	358 31074	19.5 26.2	382 33158	400 34720
619	42.3 56.7	276 23957	49.9 53.5	312 27082	38.6 51.8	378 32810	34.1 45.7	400 34720	31.5 42.2	411 35675	27.8 37.3	436 37845	23.8 31.9	466 40449	690 59892

Ratio 15

Input Speed (R.P.M.)	1800		1500		1200		1000		900		750		600		50 and Below
Output Speed (R.P.M.)	120		100		80		67		60		50		40		3.3 and Below
Frame Size	Input kW HP	Output Torque kg. m. / in. lb	Input kW HP	Output Torque kg. m. / in. lb	Input kW HP	Output Torque kg. m. / in. lb	Input kW HP	Output Torque kg. m. / in. lb	Input kW HP	Output Torque kg. m. / in. lb	Input kW HP	Output Torque kg. m. / in. lb	Input kW HP	Output Torque kg. m. / in. lb	Output Torque kg. m. / in. lb
607	0.24 0.32	1.77 154	0.24 0.32	2.14 186	0.20 0.27	2.32 261	0.18 0.24	2.44 212	0.17 0.23	2.50 217	0.14 0.19	2.50 217	0.11 0.15	2.50 217	2.5 217
608	0.40 0.54	3.00 260	0.40 0.54	3.60 312	0.39 0.52	4.40 382	0.37 0.50	5.10 433	0.34 0.46	5.10 443	1.28 0.38	5.10 443	0.23 0.31	5.10 443	5.1 443
609	1.04 1.39	7.80 677	1.05 1.41	9.51 825	0.90 1.21	10.2 885	0.80 1.07	10.9 946	0.76 0.99	11.2 972	0.66 0.88	11.9 1033	0.66 0.88	12.0 1042	11 955
610	2.72 3.65	20.5 1779	2.74 3.67	24.97 2144	2.30 3.08	26.0 2257	1.92 2.57	26.0 2257	1.73 2.32	26.0 2257	1.44 1.93	26.0 2257	1.15 1.54	26.0 2257	21 1823
611	4.82 6.46	36.3 3151	4.84 6.49	43.7 3793	4.16 5.58	46.9 4071	3.66 4.91	49.6 4305	3.39 4.55	51.0 4427	1.82 3.78	51.0 4427	2.26 3.03	51.0 4427	51 4427
612	4.94 6.62	37.62 3229	4.96 6.64	44.7 3880	4.26 5.71	48.1 4175	3.76 5.04	50.9 4418	3.39 4.55	51.0 4427	2.82 3.78	51.0 4427	2.26 3.03	51.0 4427	51 4427
613	7.60 10.2	57.2 4965	7.64 10.2	69.0 5989	6.56 8.80	74.1 6432	5.68 7.62	77.0 6684	5.12 6.87	77.0 6684	4.26 5.71	77.0 6684	3.41 4.57	77.0 6684	77 6684
614	9.16 12.3	68.9 5980	9.14 12.2	82.5 7161	7.86 10.5	88.7 7699	6.93 9.29	93.8 8142	6.49 8.70	97.7 8480	5.70 7.64	103 8940	4.56 6.12	103 8940	103 8940
615	9.87 13.2	74.3 6449	9.91 13.3	89.5 7769	8.52 11.4	96.2 8350	7.53 10.1	102 8854	6.84 9.17	103 8940	5.70 7.64	103 8940	4.56 6.12	103 8940	103 8940
616	15.0 20.1	113 9808	15.0 20.1	135 11718	12.8 17.2	144 12499	11.2 15.0	152 13194	10.4 13.9	157 13628	9.30 12.5	168 14582	7.84 10.5	177 15364	183 15884
617	22.8 30.6	172 14930	22.9 30.7	207 17968	19.6 26.3	221 19183	17.3 23.2	234 20311	16.0 21.4	241 20919	14.1 18.9	255 22134	12.1 16.2	273 23964	278 24130
618	30.0 40.2	226 19617	30.3 40.6	273 23696	23.7 31.8	297 23346	22.8 30.6	209 26821	21.3 28.6	319 27766	18.7 25.1	338 29338	16.0 21.4	362 31422	400 34720
619	42.5 57.0	320 27776	42.6 57.1	382 33418	38.5 51.6	435 37758	34.0 45.6	461 40015	31.6 42.4	475 41230	28.0 37.5	505 43834	23.09 32.0	539 46785	690 59892
620	58.1 77.9	437 37932	58.1 77.9	525 45570	51.9 69.6	586 50865	45.9 61.6	622 53992	42.8 57.4	644 55899	37.8 50.7	644 59194	30.8 41.3	695 60326	695 60326
621	71.0 95.2	534 46351	71.3 95.6	644 55899	65.6 88.0	740 64232	58.0 77.8	786 68225	54.1 72.6	814 70655	47.6 63.8	860 74648	38.1 51.1	860 74648	860 74648
622	90.0 121	677 58764	90.2 121	815 70742	81.9 110	925 80290	72.3 97.0	979 84977	67.0 90.0	1009 87581	58.9 79.0	1065 92442	50.4 67.6	1065 92442	1140 98952
623					92.6 124	1045 90706	92.8 124	1257 109108	88.6 119	1334 115791	78.1 105	1410 122992	67.8 85.6	1410 124992	1440 124992
624					114 153	1284 111451	122 164	1647 142960	111 149	1665 144522	97.4 131	1760 152768	81.1 109	1760 152768	1830 158844
625					138 185	1560 135408	139 186	1887 16379	137 184	2057 178548	119 160	2155 187054	100 134	2155 187054	2350 203980
626					168 225	1901 165007	170 228	2300 199640	170 228	2555 221774	162 217	2925 253890	135 188	2925 253890	3050 264740



Ratio 17

Input Speed (R.P.M.)	1800		1500		1200		1000		900		750		600		50 and Below
Output Speed (R.P.M.)	106		88		71		59		53		44		35		2.9 and Below
Frame Size	Input kW HP	Output Torque kg. m. / in. lb	Input kW HP	Output Torque kg. m. / in. lb	Input kW HP	Output Torque kg. m. / in. lb	Input kW HP	Output Torque kg. m. / in. lb	Input kW HP	Output Torque kg. m. / in. lb	Input kW HP	Output Torque kg. m. / in. lb	Input kW HP	Output Torque kg. m. / in. lb	Output Torque kg. m. / in. lb
607	0.24 0.32	2.02 175	0.24 0.32	2.45 213	0.20 0.27	2.50 217	0.16 0.21	2.50 217	0.15 0.20	2.50 217	0.12 0.16	2.50 217	0.10 0.13	2.50 217	2.5 217
608	0.40 0.54	3.40 295	0.40 0.54	4.08 354	0.39 0.52	5.02 436	0.33 0.44	5.10 443	0.30 0.40	5.10 443	0.25 0.34	5.10 443	0.20 0.27	5.10 443	5.1 443
609	1.09 1.46	9.29 806	1.07 1.43	11.0 955	0.93 1.25	11.9 1033	0.81 1.09	12.5 1085	0.76 1.02	13.0 1128	0.64 0.86	13.0 1128	0.51 0.68	13.0 1128	13 1128
610	2.05 2.75	17.5 1519	2.09 2.80	21.4 1858	1.79 2.40	22.9 1988	1.58 2.12	24.2 2100	1.48 1.98	25.3 2196	1.27 1.70	26.0 2257	1.02 1.37	26.0 2257	26 2257
611	4.60 6.17	39.2 3402	4.68 6.28	47.9 4158	3.99 5.35	51.0 4427	3.32 4.45	51.0 4427	2.99 4.01	51.0 4427	2.49 3.34	51.0 4427	1.99 2.67	51.0 4427	51 4427
612	4.97 6.66	42.4 3680	4.98 6.68	51.0 4427	3.99 5.35	51.0 4427	3.32 4.45	51.0 4427	2.99 4.01	51.0 4427	2.49 3.34	51.0 4427	1.99 2.67	51.0 4427	51 4427
613	7.06 9.47	60.2 5225	7.04 9.44	72.1 6258	6.00 8.05	76.8 6666	5.02 6.73	77.0 6684	4.51 6.05	77.0 6684	3.76 5.04	77.0 6684	3.01 4.04	77.0 6684	77 6684
614	9.03 12.1	77.0 6684	9.06 12.1	92.7 8046	7.82 10.5	100 8680	6.71 9.00	103 8940	6.04 8.10	103 8940	5.03 6.74	103 8940	4.02 5.39	103 8940	103 8940
615	9.04 12.1	77.1 6192	9.07 12.2	92.8 8055	7.82 10.5	100 8680	6.71 9.00	103 8940	6.04 8.10	103 8940	5.03 6.74	103 8940	4.02 5.39	103 8940	103 8940
616	14.9 20.0	127 11024	15.0 20.1	154 13367	12.8 17.2	164 14235	11.4 15.3	175 15190	10.6 14.2	180 15624	8.94 12.0	183 15884	7.15 9.59	183 15884	183 15884
617	19.3 25.9	165 14322	19.3 25.9	198 17186	16.6 22.3	212 18402	14.6 19.6	225 19530	13.5 18.1	231 20051	12.0 16.1	245 21266	10.3 13.8	264 22915	278 24130
618	29.8 40.0	254 22047	30.0 40.2	307 26648	25.5 34.2	326 28297	22.6 30.3	347 30120	20.9 28.0	357 30988	18.5 24.8	378 32810	15.8 21.2	405 35154	410 35588
619	42.7 57.3	364 31595	49.2 57.5	439 38105	38.8 52.0	497 43140	34.1 45.7	523 45396	31.6 42.4	540 46872	27.9 37.4	571 49563	23.9 32.0	611 53035	710 61628

Ratio 21

Input Speed (R.P.M.)	1800		1500		1200		1000		900		750		600		50 and Below
Output Speed (R.P.M.)	86		71		57		48		43		36		29		2.4 and Below
Frame Size	Input kW HP	Output Torque kg. m. / in. lb	Input kW HP	Output Torque kg. m. / in. lb	Input kW HP	Output Torque kg. m. / in. lb	Input kW HP	Output Torque kg. m. / in. lb	Input kW HP	Output Torque kg. m. / in. lb	Input kW HP	Output Torque kg. m. / in. lb	Input kW HP	Output Torque kg. m. / in. lb	Output Torque kg. m. / in. lb
607	0.20 0.27	2.06 179	0.20 0.27	2.50 217	0.16 0.21	2.50 217	0.13 0.17	2.50 217	0.12 0.16	2.50 217	0.10 0.13	2.50 217	0.08 0.11	2.50 217	2.5 217
608	0.40 0.54	4.20 364	0.40 0.54	5.04 437	0.32 0.43	5.10 443	0.27 0.36	5.10 443	0.24 0.32	5.10 443	0.20 0.27	5.10 443	0.16 0.21	5.10 443	5.1 443
609	1.00 1.34	10.5 911	0.99 1.33	12.5 1085	0.82 1.10	13.0 1128	0.68 0.91	13.0 1128	0.62 0.83	13.0 1128	0.51 0.68	13.0 1128	0.41 0.55	13.0 1128	13 1128
610	2.01 2.70	21.2 1840	2.02 2.71	25.5 2213	1.64 2.20	26.0 2257	1.73 2.40	26.0 2257	1.23 1.65	26.0 2257	1.03 1.38	26.0 2257	0.82 1.10	26.0 2257	26 2257
611	4.00 5.36	42.2 3663	4.03 5.40	51.0 4427	3.23 4.33	51.0 4427	2.69 3.61	51.0 4427	2.42 3.24	51.0 4427	2.02 2.71	51.0 4427	1.61 2.16	51.0 4427	51 4427
612	4.00 5.36	42.2 3663	4.03 5.45	51.0 4427	3.33 4.33	51.0 4427	2.69 3.61	51.0 4427	2.42 3.24	51.0 4427	2.02 2.71	77.0 6684	1.61 2.16	51.0 4427	51 4427
613	6.02 8.07	63.4 5503	6.05 8.11	76.5 6640	4.87 6.53	77.0 6684	4.06 5.44	77.0 6684	3.65 4.89	77.0 6684	3.04 4.08	103 8940	2.44 3.27	77.0 6684	77 6684
614	6.65 8.92	70.1 6085	6.70 8.98	84.7 7352	5.73 7.68	90.6 7884	5.06 6.78	96.0 8333	4.70 6.30	99 8593	4.07 5.46	103 8940	3.26 4.37	103 89340	103 8940
615	7.04 9.44	74.2 6440	7.08 9.49	89.5 7769	6.06 8.13	95.7 8307	5.33 7.15	101 8767	4.89 6.56	103 8940	4.07 5.46	183 15884	3.26 4.37	103 8940	103 8940
616	13.3 17.8	140 12152	13.2 15.7	167 14496	11.4 15.3	180 15624	9.65 12.9	183 15884	8.68 11.6	183 15884	7.24 9.71	278 24130	5.79 7.76	183 15884	183 15844
617	18.4 24.7	194 16839	18.5 24.8	234 20311	15.9 21.3	251 21787	13.9 18.6	264 22915	13.0 17.4	274 23783	11.0 14.8	410 35588	8.80 11.8	278 24130	278 24130
618	26.9 36.1	283 24564	26.9 36.1	340 29512	23.1 31.10	365 31682	20.4 27.4	387 33592	19.0 25.5	400 34720	16.2 21.7	569 49389	13.0 17.4	410 35588	410 35588
619	36.2 48.5	381 33071	36.1 48.4	457 39668	31.1 41.7	492 42706	27.3 36.6	517 44876	25.4 34.1	535 46438	22.5 30.2	569 49389	19.3 25.9	610 52948	730 63364
620	46.0 61.7	485 42098	46.3 62.1	585 50778	39.9 53.5	630 54684	35.2 47.2	667 57896	32.7 43.8	690 5989	28.8 38.6	729 63277	23.1 31.0	730 63364	970 84196
621	59.3 79.5	625 54250	59.5 79.8	752 65274	53.5 71.1	845 73346	47.4 63.6	900 78120	44.2 59.3	932 80898	38.4 51.5	970 84196	30.7 41.2	970 84196	970 84196
622	69.7 93.5	734 63711	70.3 94.3	889 77165	70.6 94.7	1115 96782	63.6 85.3	1207 104768	59.2 79.4	1248 108326	50.4 67.6	1275 110670	40.3 54.0	1275 110670	1275 110670
623					73.4 98.4	1160 100688	73.8 99.0	1400 121520	68.5 91.9	1444 125339	60.4 81.0	1625 141050	51.4 69.0	1625 141050	1625 141050
624					94.8 127	1498 130026	94.8 127	1800 156240	86.8 116	1830 158844	76.6 103	2050 177940	64.9 87.0	2050 177940	2050 177940
625					117 157	1847 160320	116 156	2200 190960	116 156	2445 212226	103 138	2650 230020	83.8 112	2650 230020	2650 230020
626					141 189	2225 193130	142 190	2685 233058	142 190	2998 260226	132 177	3550 308140	112 150	3550 308140	3550 308140

SELECTION TABLE FOR SINGLE STAGE REDUCERS

TRANSCYKO®



Ratio 25

Input Speed (R.P.M.)	1800		1500		1200		1000		900		750		600		50 and Below
Output Speed (R.P.M.)	72		60		48		40		36		30		24		2.0 and Below
Frame Size	Input kW HP	Output Torque kg. m. / in. lb	Input kW HP	Output Torque kg. m. / in. lb	Input kW HP	Output Torque kg. m. / in. lb	Input kW HP	Output Torque kg. m. / in. lb	Input kW HP	Output Torque kg. m. / in. lb	Input kW HP	Output Torque kg. m. / in. lb	Input kW HP	Output Torque kg. m. / in. lb	Output Torque kg. m. / in. lb
607	0.14 0.19	1.76 153	0.14 0.19	2.10 182	0.12 0.16	2.24 194	0.10 0.13	2.39 207	0.10 0.13	2.46 214	0.08 0.11	2.50 217	0.07 0.09	2.50 217	2.5 217
608	0.25 0.34	3.10 269	0.25 0.34	3.74 325	0.21 0.28	3.99 346	0.19 0.25	4.24 368	0.17 0.23	4.38 380	0.15 0.20	4.64 399	0.13 0.17	4.96 430	5.1 443
609	0.75 1.00	9.45 820	0.75 1.00	11.4 990	0.65 0.87	12.3 1068	0.56 0.75	12.7 1102	0.52 0.70	13.0 1128	0.43 0.58	13.0 1128	0.34 0.46	13.0 1128	13 1128
610	1.47 1.97	18.4 1597	1.44 1.93	21.7 1884	1.24 1.66	23.4 2031	1.08 1.45	24.5 2127	1.02 1.37	25.5 2213	0.86 1.15	26.0 2257	0.69 0.92	26.0 2257	26 2257
611	3.19 4.28	40.0 3472	3.20 4.29	48.2 4184	2.71 3.63	51.0 4427	2.26 3.03	51.0 4427	2.03 2.72	51.0 4427	1.69 2.27	51.0 4427	1.36 1.82	51.0 4427	51 4427
612	3.34 4.48	41.9 3637	3.35 4.49	50.4 4375	2.71 3.63	51.0 4427	2.26 3.03	51.0 4427	2.03 2.72	51.0 4427	1.69 2.27	51.0 4427	1.36 1.82	51.0 4427	51 4427
613	5.08 6.81	63.7 5529	5.08 6.81	76.5 6640	4.09 5.48	77.0 6684	3.41 4.57	77.0 6684	3.07 4.12	77.0 6684	2.56 3.43	77.0 6684	2.05 2.75	77.0 6684	77 6684
614	5.82 7.8	73.0 6336	5.84 7.83	87.9 7630	5.00 6.70	94.0 8159	4.43 5.94	100 8680	4.11 5.51	103 8940	3.42 4.59	103 8940	2.74 3.67	103 8940	103 8940
615	6.94 9.31	87.0 7552	6.71 9.00	101 8767	5.48 7.35	103 8940	4.56 6.12	103 8940	4.11 5.51	103 8940	3.42 4.59	103 8940	2.74 3.67	103 8940	103 8940
616	11.6 15.6	146 12673	11.6 15.6	175 15190	9.73 13.0	183 15884	8.11 10.9	183 15884	7.30 9.79	183 15884	6.08 8.15	183 15884	4.86 6.52	183 15884	183 15884
617	15.6 20.9	196 17013	15.5 20.8	234 20311	13.3 17.8	250 21700	11.7 15.7	265 23002	10.9 14.6	274 23783	9.24 12.4	278 24130	9.39 12.6	278 24130	278 24130
618	22.8 30.6	286 24825	22.8 30.6	344 29859	19.5 26.2	367 31856	17.2 23.1	388 33678	16.1 21.6	404 35067	13.6 18.2	410 35588	10.9 14.6	410 35588	410 35588
619	34.2 45.9	429 37237	34.4 46.1	517 44876	29.4 39.4	554 48087	25.9 34.7	585 50778	24.0 32.2	603 52340	21.1 28.3	636 55205	18.2 24.4	683 59284	730 63364

Ratio 29

Input Speed (R.P.M.)	1800		1500		1200		1000		900		750		600		50 and Below
Output Speed (R.P.M.)	62		52		41		34		31		26		21		1.7 and Below
Frame Size	Input kW HP	Output Torque kg. m. / in. lb	Input kW HP	Output Torque kg. m. / in. lb	Input kW HP	Output Torque kg. m. / in. lb	Input kW HP	Output Torque kg. m. / in. lb	Input kW HP	Output Torque kg. m. / in. lb	Input kW HP	Output Torque kg. m. / in. lb	Input kW HP	Output Torque kg. m. / in. lb	Output Torque kg. m. / in. lb
607	0.14 0.19	1.98 172	0.13 0.17	2.35 204	0.11 0.15	2.48 215	0.10 0.13	2.50 217	0.08 0.11	2.5 217	0.07 0.09	2.50 217	0.06 0.08	2.50 217	2.5 217
608	0.24 0.32	3.52 306	0.24 0.32	4.25 369	0.21 0.28	4.55 395	0.18 0.24	483 419	0.17 0.23	5.09 442	0.14 0.19	5.09 442	0.12 0.16	5.09 442	5.1 443
609	0.68 0.91	9.90 859	0.67 0.90	11.7 1016	0.57 0.76	12.5 1085	0.50 0.67	12.5 1128	0.45 0.60	13.0 1128	0.37 0.50	13.0 1128	0.30 0.40	13.0 1128	13 1128
610	1.38 1.85	20.1 1745	1.38 1.85	24.1 2092	1.17 1.57	25.5 2213	1.00 1.34	25.9 2248	0.89 1.19	26.0 2257	0.74 1.00	26.0 2257	0.60 0.80	26.0 2257	26 2257
611	2.84 3.81	41.3 3585	2.85 3.82	49.7 4314	2.34 3.14	51.0 4427	1.95 2.62	51.0 4427	1.75 2.35	51.0 4427	1.46 1.96	51.0 4427	1.17 1.57	51.0 4427	51 4427
612	2.84 3.81	41.4 3594	2.86 3.84	50.0 4340	2.33 3.12	50.9 4418	1.95 2.62	51.0 4427	1.75 2.35	51.0 4427	1.46 1.96	51.0 4427	1.17 1.57	51.0 4427	51 4427
613	4.41 5.91	64.1 5564	4.41 5.91	77.0 6684	3.53 4.73	77.0 6684	2.94 3.94	77.0 6684	2.65 3.55	77.0 6684	2.20 2.95	77.0 6684	1.76 2.36	77.0 6684	77 6684
614	4.84 6.49	70.5 6119	4.85 6.50	84.7 7352	4.20 5.63	91.7 7960	3.63 4.87	95.0 8246	3.40 4.56	103 8940	2.95 3.96	103 8940	2.36 3.16	103 8940	103 8940
615	5.88 7.88	85.6 7430	5.8 7.83	102 8854	4.72 6.33	103 8940	3.93 5.27	103 8940	3.54 4.75	183 15884	2.95 3.96	183 15884	2.36 3.16	103 8940	103 8940
616	9.69 13.0	141 12239	9.68 13.0	169 14669	8.34 11.2	182 15798	6.99 9.37	183 15884	6.29 8.49	278 24130	5.24 7.03	278 24130	4.19 5.62	183 15884	183 15884
617	14.3 19.2	208 18054	14.3 19.2	250 21700	12.2 16.4	267 23176	10.6 14.2	278 24130	9.55 12.8	400 34720	7.96 10.7	410 35588	6.37 8.54	278 24130	278 24130
618	18.3 24.5	266 23089	18.4 24.7	322 27950	15.9 21.3	348 30206	13.9 18.6	364 31595	12.9 17.3	399 34633	11.4 15.3	396 34373	9.39 12.6	410 35588	410 35588
619	30.0 40.2	437 37832	30.1 40.4	526 45657	25.8 34.6	563 48868	22.7 30.4	594 51559	21.0 28.2	730 63364	18.6 24.9	730 63364	15.9 21.3	696 60413	696 60413
620	39.0 52.3	568 49302	39.1 52.4	683 59284	34.4 44.8	728 63190	27.8 37.3	729 63277	25.1 33.7	695 83762	20.9 28.0	730 63364	16.7 22.4	696 60413	690 60413
621	47.8 64.1	695 60326	47.8 64.1	835 72478	41.7 55.9	910 78988	36.7 49.2	962 83502	33.2 44.5	965 83762	27.6 37.0	965 83762	22.1 29.6	965 83762	965 83762
622	53.3 71.5	775 7270	53.5 71.7	934 81071	52.3 70.1	1142 99126	46.2 62.05	1210 10528	43.0 57.7	1250 108500	36.5 48.9	1275 110670	29.2 39.2	1275 110670	1275 110670
623					55.1 73.9	1202 104334	4 74.3	1450 125860	53.4 71.6	1555 134974	46.2 62.0	1615 140182	37.2 49.9	1625 141050	1625 141050
624					63.3 91.6	1490 129332	68.7 92.1	1799 156153	65.0 87.2	1890 164052	57.3 76.8	2000 177940	47.0 63.0	2050 177940	2050 177940
625					93.9 126	2049 177853	94.7 127	2470 214396	91.1 122	2650 230020	75.9 102	2650 230020	60.7 81.4	2650 230020	2650 230020
626					135 181	2949 255973	135 181	3545 307725	122 164	3550 308140	102 137	3550 308140	81.3 109	3550 308140	3550 308140
627					140 188	3050 264740	140 188	3680 319424	141 189	4099 355739	130 174	4550 394940	112 150	4872 422890	6100 529480



Ratio 35

Input Speed (R.P.M.)	1800		1500		1200		1000		900		750		600		50 and Below
Output Speed (R.P.M.)	51		43		34		29		26		21		17		1.4 and Below
Frame Size	Input kW HP	Output Torque kg. m. / in. lb	Input kW HP	Output Torque kg. m. / in. lb	Input kW HP	Output Torque kg. m. / in. lb	Input kW HP	Output Torque kg. m. / in. lb	Input kW HP	Output Torque kg. m. / in. lb	Input kW HP	Output Torque kg. m. / in. lb	Input kW HP	Output Torque kg. m. / in. lb	Output Torque kg. m. / in. lb
607	0.12 0.16	2.15 187	0.12 0.16	2.49 216	0.09 0.12	2.50 217	0.08 0.11	2.50 217	0.06 0.08	2.50 217	0.06 0.08	2.50 217	0.05 0.07	2.50 217	2.5 217
608	0.24 0.32	425 369	0.24 0.32	5.05 438	0.19 0.25	5.10 443	0.16 0.21	5.10 443	0.12 0.16	5.10 443	0.12 0.16	5.10 443	0.10 0.13	5.10 443	5.1 443
609	0.58 0.78	10.1 877	0.58 0.78	12.2 1059	0.49 0.66	13.0 1128	0.41 0.55	13.0 1128	0.31 0.42	13.0 1128	0.31 0.42	13.0 1128	0.25 0.34	13.0 1128	13 1128
610	1.03 1.38	18.1 1571	1.02 1.37	21.5 1866	0.87 1.17	24.5 2127	0.78 1.05	25.6 2222	0.62 0.83	26.0 2257	0.62 0.83	26.0 2257	0.49 0.66	26.0 2257	26 2257
611	2.40 3.22	42.1 3654	2.42 3.27	50.9 4418	1.94 2.60	51.0 4427	1.61 2.16	51.0 4427	1.21 1.62	51.0 4427	1.21 1.62	51.0 4427	0.97 1.30	51.0 4427	51 4427
612	2.40 3.22	42.1 3654	2.42 3.24	50.9 4418	1.94 2.60	51.0 4427	1.61 2.16	51.0 4427	1.21 1.62	51.0 4427	1.21 1.62	51.0 4427	0.97 1.30	51.0 4427	51 4427
613	3.62 4.85	635 5512	3.64 4.88	76.7 6658	2.92 3.92	76.8 6666	2.44 3.27	77 6684	1.83 2.45	77.0 6684	1.83 2.45	77.0 6684	1.46 1.96	77.0 6684	77 6684
614	4.61 6.18	81.0 7031	4.63 6.21	97.5 8463	3.91 5.24	103 8940	3.26 4.37	103 8940	2.44 3.27	103 8940	2.44 3.27	103 8940	1.96 2.63	103 8940	103 8940
615	4.84 6.49	84.9 7369	4.84 6.49	102 8854	3.91 5.24	103 8940	3.26 4.37	103 8940	2.44 3.27	103 8940	2.44 3.27	103 8940	1.96 2.63	103 8940	103 8940
616	8.60 11.5	151 13107	8.64 11.6	182 15798	6.95 9.32	183 15884	5.79 7.76	183 15884	4.34 5.82	183 15884	4.34 5.82	183 15884	3.47 4.65	183 15884	183 15584
617	12.4 16.6	217 18836	12.5 16.8	263 22828	10.5 14.1	277 24044	8.80 11.8	278 24130	6.60 8.85	278 24130	6.60 8.85	278 24130	5.28 7.08	278 24130	278 24130
618	18.4 24.7	323 28036	18.5 24.8	389 33765	15.5 20.8	409 35501	13.0 17.4	410 35588	9.73 13.0	410 35588	9.73 13.0	410 35588	7.78 10.4	410 35588	410 35588
619	23.5 31.5	413 35848	23.7 31.8	500 43400	20.3 27.2	535 46438	17.8 23.9	582 50518	14.6 19.6	615 53382	14.6 19.6	615 53382	12.5 16.8	615 53382	730 63364

Ratio 43

Input Speed (R.P.M.)	1800		1500		1200		1000		900		750		600		50 and Below
Output Speed (R.P.M.)	42		35		28		23		21		17		14		1.2 and Below
Frame Size	Input kW HP	Output Torque kg. m. / in. lb	Input kW HP	Output Torque kg. m. / in. lb	Input kW HP	Output Torque kg. m. / in. lb	Input kW HP	Output Torque kg. m. / in. lb	Input kW HP	Output Torque kg. m. / in. lb	Input kW HP	Output Torque kg. m. / in. lb	Input kW HP	Output Torque kg. m. / in. lb	Output Torque kg. m. / in. lb
607	0.10 0.13	2.10 182	0.10 0.13	2.50 217	0.08 0.11	2.50 217	0.06 0.08	2.50 217	0.06 0.08	2.50 217	0.05 0.07	2.50 217	0.04 0.05	2.50 217	2.5 217
608	0.20 0.27	4.25 369	0.20 0.27	5.10 443	0.16 0.21	5.10 443	0.13 0.17	5.10 443	0.12 0.16	5.10 443	0.10 0.13	5.10 443	0.08 0.11	5.10 443	5.1 443
609	0.49 0.66	10.6 920	0.50 0.67	13.0 1128	0.40 0.54	13.0 1128	0.33 0.44	13.0 1128	0.30 0.40	13.0 1128	0.25 0.34	13.0 1128	0.20 0.27	13.0 1128	13 1128
610	0.93 1.25	20.0 1736	0.93 1.25	24.1 2092	0.80 1.07	25.8 2239	0.67 0.90	25.6 2222	0.60 0.80	26.0 2257	0.50 0.67	26.0 2257	0.40 0.54	13.0 1128	26 2257
611	1.92 2.57	41.4 3594	1.92 2.57	49.7 4314	1.58 2.12	51.0 4427	1.31 0.76	51.0 4427	1.18 1.58	51.0 4427	0.98 1.31	51.0 4427	0.79 1.06	26.0 2257	51 4427
612	1.96 2.63	42.3 3672	1.97 2.64	50.9 4418	1.58 2.12	51.0 4427	1.31 1.76	51.0 4427	1.18 1.58	51.0 6684	0.98 1.31	51.0 4427	1.19 1.60	51.0 4427	51 4427
613	2.96 3.97	63.9 5546	2.96 3.97	76.5 6640	2.38 3.19	77.0 6684	1.98 2.66	77.0 6684	1.78 2.39	95.5 8289	1.49 2.00	77.0 6684	1.59 2.13	51.0 4427	77 6684
614	3.15 4.22	68.0 5902	3.16 4.24	81.9 7109	2.71 3.63	87.8 7621	2.39 3.20	103 8940	2.21 2.96	103 8940	1.99 2.67	103 8940	1.59 2.13	51.0 4427	103 8940
615	3.85 5.16	83.0 7204	3.86 5.18	100 8680	3.18 4.26	103 8940	2.65 3.55	103 8940	2.39 3.20	183 15884	1.99 2.67	103 5940	2.83 3.80	77.0 6684	103 15884
616	6.72 9.01	145 12586	6.76 9.06	175 15190	5.66 7.59	183 15884	4.71 6.32	183 15884	4.24 5.69	278 24130	3.53 4.73	183 15884	4.30 5.77	103 8940	183 15584
617	9.27 12.4	200 17360	9.31 12.5	241 20919	8.04 10.8	260 22568	7.16 9.60	278 24130	6.44 8.64	410 35588	5.37 7.20	278 24130	6.34 8.50	183 15884	278 24130
618	14.8 19.8	320 27776	15.0 20.1	387 33592	12.7 17.0	410 35588	10.6 14.2	410 35588	9.50 12.7	620 53816	7.92 10.6	410 35588	10.8 14.5	278 24130	410 35588
619	20.8 27.9	449 38973	20.5 27.5	530 46004	17.6 23.6	568 49302	15.5 20.8	582 50518	14.4 19.3	823 71436	12.7 17.0	656 56961	13.0 17.8	410 35588	730 63364
620	27.0 36.2	582 50518	27.3 36.6	706 61281	24.1 32.3	780 67704	20.8 27.9	807 70048	19.1 25.6	823 71436	16.5 22.1	854 74127	13.3 17.8	860 74648	860 74648
621	37.1 49.8	800 69440	37.3 50.0	965 83762	31.8 42.6	1028 89230	27.6 37.0	1072 93050	25.3 33.9	1092 94786	21.8 29.2	1130 98084	17.6 23.6	1140 98952	1140 98952
622	45.7 61.3	985 85498	45.7 61.3	1183 102684	39.2 52.6	1270 110236	33.9 45.5	1315 114142	31.1 41.7	1341 116399	26.8 35.9	1385 120218	22.3 29.9	1440 124992	1440 124992
623					42.8 57.4	1386 120305	42.8 57.4	1660 144088	39.8 53.4	1715 148862	35.0 46.9	1810 157108	28.1 37.7	1820 157976	1820 15884
624					55.8 74.8	1806 156761	55.8 74.8	2165 187922	51.0 68.4	2200 190960	43.8 58.7	2270 197036	35.8 48.0	2320 201376	2350 2039580
625					68.5 91.9	2217 192436	68.1 91.3	2645 229586	68.3 91.6	2945 255626	58.9 79.0	3050 264740	47.1 63.2	3050 264740	3050 264740
626					94.2 126	3050 264740	94.2 126	3660 317688	88.5 119	3920 331576	77.0 103	3986 345985	63.8 85.6	4100 355880	4100 355880
627					125 168	4050 351540	126 169	4900 425320	118 158	5070 440076	104 139	5360 465248	89.5 120	5790 502572	6100 5299480

SELECTION TABLE FOR SINGLE STAGE REDUCERS

TRANSCYKO®



Ratio 51

Input Speed (R.P.M.)	1800		1500		1200		1000		900		750		600		50 and Below
Output Speed (R.P.M.)	35		29		24		20		18		15		12		0.98 and Below
Frame Size	Input kw HP	Output Torque kg. m. / in. lb	Input kw HP	Output Torque kg. m. / in. lb	Input kw HP	Output Torque kg. m. / in. lb	Input kw HP	Output Torque kg. m. / in. lb	Input kw HP	Output Torque kg. m. / in. lb	Input kw HP	Output Torque kg. m. / in. lb	Input kw HP	Output Torque kg. m. / in. lb	Output Torque kg. m. / in. lb
608	0.12 0.16	3.07 266	0.12 0.16	3.70 321	0.10 0.13	4.01 348	0.09 0.12	4.22 366	0.08 0.11	4.37 379	0.08 0.11	4.63 402	0.06 0.08	4.96 430	5.1 443
609	0.36 0.48	9.30 807	0.36 0.48	11.0 955	0.31 0.42	11.9 1033	0.27 0.36	12.3 1068	0.25 0.34	13.0 1128	0.21 0.28	13.0 1128	0.17 0.23	13.0 1128	13 1128
610	0.66 0.88	17.0 1476	0.67 0.90	20.5 1779	0.57 0.76	21.9 1901	0.50 0.67	23.1 2005	0.48 0.64	24.4 2118	0.48 0.64	25.5 2213	0.34 0.46	26.0 2257	26 2257
611	1.87 2.51	47.9 4158	1.66 2.23	50.9 4418	1.33 1.78	51.0 4427	1.11 1.49	51.0 4427	1.00 1.34	51.0 4427	0.83 1.11	51.0 4427	0.66 0.88	51.0 4427	51 4427
612	1.87 2.51	47.9 4158	1.66 2.23	50.9 4418	1.33 1.78	51.0 4427	1.11 1.49	51.0 4427	1.00 1.34	51.0 4427	0.83 1.11	51.0 4427	0.66 0.88	51.0 4427	77 6684
613	2.52 3.38	64.5 4163	2.50 3.35	76.7 6658	2.00 2.68	76.9 6675	1.67 2.24	77.0 6684	1.50 2.01	77.0 6684	1.25 1.68	77.0 6684	1.00 1.34	77.0 6684	103 8940
614	2.94 3.94	75.2 6527	2.97 3.98	91.2 7916	2.53 3.39	97.0 8420	2.21 2.96	102 8854	2.01 2.70	103 8940	1.68 2.25	103 8940	1.34 1.80	103 8940	103 8940
615	3.40 4.56	87.0 7552	3.32 4.45	102 7916	2.66 3.57	102 8854	2.24 3.00	103 8940	2.01 2.70	103 8940	1.68 2.25	103 8940	1.34 1.80	103 8940	103 8940
616	5.67 7.60	145 12586	5.70 7.64	175 15190	4.72 6.33	181 15711	3.95 5.30	182 15798	3.58 4.80	183 15884	2.98 4.00	183 15884	2.38 3.19	183 15884	183 15884
617	8.32 11.2	213 18488	8.34 11.2	256 22221	7.11 9.53	273 23696	6.04 8.10	278 24130	5.43 7.28	278 24130	4.53 6.07	278 24130	3.62 4.85	278 24130	278 24130
618	11.4 15.3	291 25259	11.4 15.3	350 30380	9.69 13.0	372 32290	8.90 11.9	410 35588	8.01 10.7	410 35588	6.68 8.96	410 35588	5.34 7.16	410 35588	410 35588
619	18.0 24.1	460 39928	17.9 24.0	549 47653	15.3 20.5	587 50952	13.5 18.1	620 53816	12.5 16.8	640 55552	11.1 14.9	730 63364	9.51 12.7	730 63364	730 63364

Ratio 59

Input Speed (R.P.M.)	1800		1500		1200		1000		900		750		600		50 and Below
Output Speed (R.P.M.)	31		25		20		17		15		13		10		0.85 and Below
Frame Size	Input kw HP	Output Torque kg. m. / in. lb	Input kw HP	Output Torque kg. m. / in. lb	Input kw HP	Output Torque kg. m. / in. lb	Input kw HP	Output Torque kg. m. / in. lb	Input kw HP	Output Torque kg. m. / in. lb	Input kw HP	Output Torque kg. m. / in. lb	Input kw HP	Output Torque kg. m. / in. lb	Output Torque kg. m. / in. lb
608	0.12 0.16	3.45 299	0.12 0.16	4.15 360	0.10 0.13	4.45 386	0.09 0.12	4.70 408	0.08 0.11	4.87 423	0.07 0.09	5.10 443	0.06 0.08	5.10 443	5.1 443
609	0.33 0.44	9.71 843	0.33 0.44	11.6 1007	0.28 0.38	12.5 1085	0.24 0.30	13.0 1128	0.22 0.30	13.0 1128	0.18 0.24	13.0 1128	0.15 0.20	13.0 1128	13 1128
610	0.61 0.82	18.0 1562	0.60 0.80	21.5 1866	0.52 0.70	23.3 2022	0.45 0.60	24.2 2100	0.43 0.58	25.4 2205	0.37 0.50	26.0 2257	0.29 0.39	26.0 2257	26 2257
611	1.38 1.85	40.8 3541	1.37 1.84	48.7 4227	1.14 1.53	50.8 4409	0.96 1.29	51.0 4427	0.86 1.15	51.0 4427	0.72 0.96	51.0 4427	0.57 0.76	51.0 4427	51 4427
612	1.38 1.85	41.0 3559	1.38 1.85	48.9 4244	1.15 1.54	50.9 4418	0.96 1.29	51.0 4427	0.86 1.15	51.0 4427	0.72 0.96	51.0 4427	0.57 0.76	51.0 4427	51 4427
613	2.16 2.90	64.0 5555	2.15 2.88	76.4 6632	1.73 2.32	76.8 6666	1.44 1.93	76.9 6675	1.30 1.74	77.0 6684	1.08 1.45	77.0 6684	0.87 1.17	77.0 6684	77 6684
614	2.84 3.81	84.0 7291	2.80 3.75	99.6 8645	2.25 3.02	100 8680	1.93 2.59	103 8940	1.74 2.33	103 8940	1.45 1.94	103 8940	1.16 1.56	103 8940	103 8940
615	2.90 3.89	85.8 7447	2.82 3.78	100 8680	2.25 3.02	100 8680	1.93 2.59	103 8940	1.74 2.33	103 8940	1.45 1.94	103 8940	1.16 1.56	103 8940	103 8940
616	4.90 6.57	145 12586	4.96 6.65	176 15277	4.10 5.50	182 15798	3.43 4.60	183 15884	3.09 4.14	183 15884	2.58 3.46	183 15884	2.06 2.76	183 15884	183 15884
617	7.23 9.70	214 18575	7.29 9.78	259 22481	6.08 8.15	270 23436	5.22 7.00	278 24130	4.70 6.30	278 24130	3.91 5.24	278 24130	3.13 4.20	278 24130	278 24130
618	9.73 13.0	288 24998	9.85 13.2	350 30380	8.11 10.9	360 31248	7.08 9.49	377 32724	6.40 8.58	379 32897	5.67 7.60	403 34980	4.62 6.20	410 35588	410 35588
619	15.5 20.8	460 39928	15.2 20.8	550 47740	13.2 17.7	585 50778	11.8 15.8	630 54684	11.0 14.8	650 56420	9.66 13.0	686 59545	8.22 11.0	730 63364	730 63364
620	19.2 25.7	570 49476	19.1 25.6	680 59024	17.9 24.0	794 68919	15.4 20.6	820 71176	14.2 19.0	843 73172	12.1 16.2	860 74648	9.68 13.0	860 74648	860 74648
621	27.7 37.1	821 71263	27.8 37.3	989 85845	23.9 32.0	1063 92268	20.4 27.4	1090 94612	18.8 25.2	1110 96348	16.0 21.4	1140 98952	12.8 17.2	1140 98952	1140 98952
622	33.3 44.6	986 85585	33.4 44.8	1185 102858	28.6 38.4	1272 110410	24.7 33.1	1315 114142	22.7 30.4	1345 116746	19.5 26.2	1386 120305	16.2 21.7	1440 124992	1440 124992
623					29.9 40.1	1326 115097	30.0 40.2	1600 138880	27.5 36.9	1629 141397	23.9 32.0	1700 147560	20.2 27.1	1798 156066	1830 158844
624					38.2 51.2	1697 147300	38.3 51.4	2040 177083	35.1 47.0	2080 180554	30.4 40.8	2160 187488	25.4 34.1	2256 195821	2350 203980
625					55.2 74.0	2450 212660	55.3 74.2	2945 255626	51.4 69.0	3040 263872	42.9 57.5	3050 264740	34.3 46.0	3050 264740	3050 264740
626					74.8 100	3323 288436	75.1 101	4000 347200	69.1 92.7	4090 355012	57.6 77.2	4095 355446	46.2 62.0	4100 355880	4100 355880
627					100 134	4440 385390	100 134	5330 462664	92.7 124	5490 476532	81.6 109	5800 503440	68.7 92.1	6100 529480	6100 529480



Ratio 71

Input Speed (R.P.M.)	1800		1500		1200		1000		900		750		600		50 and Below
Output Speed (R.P.M.)	25		21		17		14		13		11		8.5		0.70 and Below
Frame Size	Input kw HP	Output Torque kg. m. / in. lb	Input kw HP	Output Torque kg. m. / in. lb	Input kw HP	Output Torque kg. m. / in. lb	Input kw HP	Output Torque kg. m. / in. lb	Input kw HP	Output Torque kg. m. / in. lb	Input kw HP	Output Torque kg. m. / in. lb	Input kw HP	Output Torque kg. m. / in. lb	Output Torque kg. m. / in. lb
609	0.26 0.35	9.15 794	0.26 0.35	11.0 955	0.22 0.30	11.7 1016	0.19 0.25	12.0 1042	0.18 0.24	12.9 1120	0.15 0.20	13.0 1128	0.12 0.16	13.0 1128	13 1128
610	0.49 0.66	17.5 1519	0.49 0.66	21.1 1831	0.42 1.13	22.7 1970	0.37 0.50	24.0 2083	0.34 0.46	24.6 2135	0.30 0.40	26.0 2257	0.24 0.32	26.0 2257	26 2257
611	0.98 1.31	34.8 3021	0.98 1.31	41.9 3637	0.84 1.13	45.0 3906	0.72 0.96	46.5 4036	0.68 0.91	48.1 4175	0.59 0.79	50.6 4392	0.48 0.64	51.0 4427	51 4427
612	1.01 1.35	35.9 3116	1.02 1.37	43.6 3784	0.87 1.17	46.5 4036	0.76 1.02	49.0 4253	0.72 0.96	51.0 4427	0.60 0.80	51.0 4427	0.48 0.64	51.0 4427	51 4427
613	1.82 2.44	64.7 5616	1.80 2.41	76.8 6666	1.44 1.93	77.0 6684	1.20 1.61	77.0 6684	1.08 1.45	77.0 6684	0.90 1.21	77.0 6684	0.72 0.96	77.0 6684	77 6684
614	2.10 2.82	75.0 6510	2.11 2.83	90.2 7829	1.81 2.43	96.8 8402	1.58 2.12	101 8787	1.44 1.93	103 8940	1.20 1.61	103 8940	0.96 1.29	103 8940	103 8940
615	2.17 2.91	77.2 6710	2.17 2.91	92.9 8064	1.87 2.51	99.7 8654	1.59 2.13	102 8854	1.44 1.93	103 8940	1.20 1.61	103 8940	0.96 1.29	103 8840	103 8940
616	4.10 5.50	146 12673	4.09 5.48	175 15190	3.42 4.59	183 15884	2.85 3.82	183 15884	2.57 3.45	183 15884	2.14 2.87	183 15884	1.71 2.29	183 15884	183 15884
617	6.01 8.06	214 18575	6.01 8.06	257 22308	5.16 6.92	276 23957	4.34 5.82	278 24130	3.90 5.23	278 24130	3.25 4.36	278 24130	2.60 3.49	278 24130	278 24130
618	7.33 9.83	261 22655	7.35 9.86	314 27255	6.27 8.41	335 29078	5.54 7.43	355 30814	5.15 6.91	367 31856	4.55 6.10	389 33765	3.84 5.15	410 35588	410 35588
619	13.4 18.0	479 41577	13.4 18.0	573 49736	11.5 15.4	614 53295	10.1 13.5	648 56246	9.38 12.6	668 57982	8.29 11.1	709 61541	6.83 9.16	730 63364	730 63364

Ratio 87

Input Speed (R.P.M.)	1800		1500		1200		1000		900		750		600		50 and Below
Output Speed (R.P.M.)	21		17		14		11		10		8.6		6.9		0.57 and Below
Frame Size	Input kw HP	Output Torque kg. m. / in. lb	Input kw HP	Output Torque kg. m. / in. lb	Input kw HP	Output Torque kg. m. / in. lb	Input kw HP	Output Torque kg. m. / in. lb	Input kw HP	Output Torque kg. m. / in. lb	Input kw HP	Output Torque kg. m. / in. lb	Input kw HP	Output Torque kg. m. / in. lb	Output Torque kg. m. / in. lb
609	0.24 0.32	10.6 920	0.25 0.34	12.9 1120	0.20 0.27	13.0 1128	0.16 0.21	13.0 1128	0.15 0.20	13.0 1128	0.12 0.16	13.0 1128	0.10 0.13	13.0 1128	13 1128
610	0.49 0.66	21.5 1866	0.49 0.66	25.9 2248	0.40 0.54	26.0 2257	0.33 0.44	26.0 2257	0.30 0.40	26.0 2257	0.20 0.27	26.0 2257	0.20 0.27	26.0 2257	26 2257
611	0.93 1.25	40.5 3515	0.93 1.25	48.8 4236	0.78 1.05	51.0 4427	0.65 0.87	51.0 4427	0.58 0.78	51.0 4427	0.49 0.66	51.0 4427	0.39 0.52	51.0 4427	51 4427
612	0.93 1.25	40.8 3541	0.94 1.26	49.0 4253	0.78 1.05	51.0 4427	0.65 0.87	51.0 4427	0.58 0.78	51.0 6684	0.49 0.66	77 6684	0.39 0.52	51.0 4427	51 4427
613	1.47 1.97	64.0 5555	1.46 1.96	76.5 6640	1.18 1.58	77.0 6684	0.98 1.31	77.0 6684	0.88 1.18	103 8940	0.74 0.99	103 8940	0.59 0.79	77.0 6684	77 6684
614	1.96 2.63	85.5 7421	1.95 2.62	102 8854	1.57 2.10	103 8940	1.31 1.76	103 8940	1.18 1.58	103 8940	0.98 1.31	183 15884	0.79 1.06	103 6684	103 6684
615	1.99 2.67	86.9 7543	1.97 2.64	103 8940	1.57 2.10	103 8940	1.31 1.76	103 8940	1.18 1.58	183 15884	0.98 1.31	278 24130	1.04 1.88	103 6684	103 6684
616	3.34 4.48	146 12673	3.34 4.48	175 15190	2.80 3.75	183 15884	2.33 3.12	183 15884	2.10 2.82	278 24130	1.75 2.35	410 35588	2.12 2.84	183 15884	183 15884
617	4.83 6.48	211 18315	4.83 6.48	253 21960	4.14 5.55	271 23533	3.54 4.75	278 24130	3.18 4.26	410 35588	2.65 3.55	730 63364	3.13 4.20	278 24130	278 24130
618	7.35 9.86	321 27863	7.35 9.86	385 33418	6.26 8.39	410 35588	5.22 7.00	410 35588	4.70 6.30	720 62500	3.91 5.24	730 63364	5.58 7.48	410 35588	410 35588
619	11.7 15.7	511 44355	11.7 15.7	615 53382	10.1 13.5	661 57375	8.85 11.9	695 60326	8.26 11.1	730 63364	6.97 9.35	730 63364	5.58 7.48	730 63364	730 63364
620	13.6 18.2	596 51733	13.7 18.4	718 62322	11.1 14.9	729 63277	9.29 12.4	730 63364	8.26 11.1	730 63364	6.97 9.35	730 63364	7.29 9.78	730 63364	730 63364
621	18.3 24.5	789 69266	18.2 24.4	954 82807	14.6 19.6	954 82807	12.2 16.4	955 82894	10.9 14.6	955 82894	9.12 12.2	955 82894	9.74 13.1	955 82894	955 82894
622	21.9 29.4	957 83068	21.9 29.4	1148 99646	18.6 24.9	1222 106070	16.1 21.6	1267 109976	14.6 19.6	1275 110670	12.2 16.4	1275 110670	9.74 13.1	1275 110670	1275 110670
623					21.0 28.2	1377 119524	20.7 27.8	1625 141050	18.6 24.9	1625 141050	15.5 20.8	1625 141050	12.4 16.6	1625 141050	1625 141050
624					26.7 35.8	1747 151640	26.1 35.0	2050 177940	23.5 31.5	2050 177940	19.6 26.3	2050 177940	15.6 20.9	2050 177940	2050 177940
625					34.2 45.9	2240 194432	33.7 45.2	2645 229586	30.4 40.8	2650 230020	25.3 33.9	2650 230020	20.2 27.1	2650 230020	2650 230020
626					45.7 61.3	2995 259966	45.2 60.6	3550 308140	40.7 54.6	3550 308140	33.9 45.5	3550 308140	27.1 36.3	3550 308140	3550 308140
627					51.2 68.7	3350 290780	51.2 68.7	4020 348936	49.5 66.4	4321 375063	43.6 58.5	4565 396242	37.3 50.0	4880 423584	6100 529480

SELECTION TABLE FOR DOUBLE STAGE REDUCERS

TRANSCYKO®



(Allowable Transmission Input - Output Capacity)

Input at 1500 R.P.M.

Ratio	104 (13 x 8)		121 (11 x 11)		143 (13 x 11)		165 (15 x 11)		195 (15 x 13)	
Output Speed (R.P.M)	14		12		10		9.1		7.7	
Frame Size	Input kw/HP	Output Torque kg .m / in .lb	Input kw/HP	Output Torque kg .m / in .lb	Input kw/HP	Output Torque kg .m / in .lb	Input kw/HP	Output Torque kg .m / in .lb	Input kw/HP	Output Torque kg .m / in .lb
607 / 07			0.10 0.13	2.50 / 217	0.10 0.13	2.50 / 217	0.10 0.13	2.50 / 217	0.10 0.13	2.50 / 217
608 / 07			0.10 0.13	4.63 / 402	0.10 0.13	5.10 / 443	0.10 0.13	5.10 / 443	0.10 0.13	5.10 / 443
609 / 08	0.18 0.24	10.1 / 877	0.16 0.21	10.6 / 920	0.14 0.19	10.9 / 946	0.14 0.19	13.0 / 1128	0.12 0.16	13.0 / 1128
610 / 08	0.36 0.48	20.5 / 1779	0.31 0.42	20.5 / 1779	0.26 0.35	20.5 / 1779	0.29 0.39	26.0 / 2257	0.24 0.32	26.0 / 2257
611 / 08	0.40 0.54	22.5 / 1953	0.40 0.54	26.3 / 2283	0.40 0.54	31.5 / 2734	0.40 0.54	36.1 / 3133	0.40 0.54	42.9 / 3724
611 / 09	0.84 1.13	48.0 / 4166	0.76 1.02	50.0 / 4340	0.65 0.87	51.0 / 4427	0.56 0.75	51.0 / 4427	0.48 0.64	51.0 / 4427
613 / 08										
613 / 09	1.35 1.81	77.0 / 6684	1.06 1.42	77.0 / 6684	0.98 1.31	77.0 / 6684	0.85 1.14	77.0 / 6684	0.72 0.96	77.0 / 6684
613 / 10	1.35 1.81	77.0 / 6684	1.16 1.56	77.0 / 6684	0.98 1.31	77.0 / 6684	0.85 1.14	77.0 / 6684		
614 / 08										
614 / 09					1.04 1.39	81.0 / 7031	1.02 1.37	91.8 / 7968	0.86 1.15	92.2 / 8003
614 / 10	1.81 2.43	103 / 8940	1.45 1.94	96.0 / 8333	1.32 1.77	103 / 8940	1.14 1.53	103 / 8940	0.97 1.30	103 / 8940
616 / 09										
616 / 10	2.42 3.24	160 / 13888	2.57 3.45	170 / 14756	2.34 3.14	183 / 15884	2.03 2.72	183 / 15884	1.72 2.31	183 / 15884
616 / 11	3.22 4.32	183 / 15884	2.77 3.71	183 / 15884	2.34 3.14	183 / 15884				
617 / 09										
617 / 10							2.55 3.42	230 / 19964	2.41 3.23	257 / 22308
617 / 11	4.89 6.56	278 / 24130	3.86 5.18	255 / 22134	3.56 4.77	278 / 24130	3.08 4.13	278 / 24130	2.61 3.50	278 / 24130
618 / 10										
618 / 13	7.04 9.44	400 / 34720	5.06 6.78	335 / 29078	5.13 6.88	401 / 34807	4.45 6.09	401 / 34807	3.85 5.16	401 / 34807
619 / 11									4.78 6.41	510 / 44268
619 / 13	10.0 13.4	570 / 49476	8.61 11.5	570 / 49476	7.80 10.5	610 / 52948	6.76 9.06	610 / 52948	6.10 8.18	650 / 56420
620 / 11										
620 / 13			8.69 11.6	575 / 49910			7.70 10.3	695 / 60326	6.52 8.74	695 / 60326
621 / 13			9.98 13.4	660 / 57288			9.48 12.7	855 / 74214	8.02 10.8	855 / 74214
621 / 16			11.1 14.9	735 / 63798			9.48 12.7	855 / 74214	8.02 10.8	855 / 74214
622 / 13									9.19 12.3	980 / 85064
622 / 17			14.5 19.4	960 / 83328			12.2 16.4	1100 / 95480	10.3 13.8	1100 / 95480
623 / 16			16.9 22.7	1120 / 97216			15.5 20.8	1400 / 121520	13.1 17.6	1410 / 122100
623 / 18			16.9 22.7	1120 / 97216			15.5 20.8	1400 / 121520	13.1 17.6	1410 / 122100
624 / 16							18.1 24.3	1630 / 141484	17.0 22.8	1810 / 157108
624 / 18			21.3 28.6	1410 / 122388			20.1 27.0	1810 / 157108	17.0 22.8	1810 / 157108
625 / 17			27.1 36.3	1790 / 155372			25.5 34.2	2300 / 199640	21.6 29.0	2300 / 199640
625 / 19			27.2 36.5	1800/156240			25.5 34.2	2300/199640		
626 / 19			36.3 48.7	2400 / 208320			33.8 45.3	3050 / 264740	28.6 38.4	3050 / 264740



Ratio	231 (21 x 11)		273 (21 x 13)		319 (29 x 11)		377 (29 x 13)		473 (43 x 11)	
Output Speed (R.P.M)	6.5		5.5		4.7		4.0		3.2	
Frame Size	Input kw/HP	Output Torque kg.m / in.lb	Input kw/HP	Output Torque kg.m / in.lb	Input kw/HP	Output Torque kg.m / in.lb	Input kw/HP	Output Torque kg.m / in.lb	Input kw/HP	Output Torque kg.m / in.lb
607 / 07	0.10 0.13	2.50 / 217	0.10 0.13	2.50 / 217	0.10 0.13	2.50 / 217	0.10 0.13	2.50 / 217	0.10 0.13	2.50 / 217
608 / 07	0.10 0.13	5.10 / 443	0.10 0.13	5.10 / 443	0.10 0.13	5.10 / 443	0.10 0.13	5.10 / 443	0.10 0.13	5.10 / 443
609 / 08	0.10 0.13	13.0 / 1128	0.10 0.13	13.0 / 1128	0.10 0.13	13.0 / 1128	0.10 0.13	13.0 / 1128	0.10 0.13	13.0 / 1128
610 / 08	0.20 0.27	26.0 / 2257	0.17 0.23	26.0 / 2257	0.26 0.35	26.0 / 2257	0.29 0.39	26.0 / 2257	0.10 0.13	26.0 / 2257
611 / 08	0.40 0.54	51.0 / 4427	0.34 0.46	51.0 / 4427	0.29 0.39	51.0 / 4427	0.25 0.34	51.0 / 4427	0.20 0.27	51.0 / 4427
611 / 09	0.40 0.54	51.0 / 4427	0.34 0.46	51.0 / 4427						
613 / 08							0.37 0.50	77.0 / 6684	0.30 0.40	77.0 / 6684
613 / 09	0.61 0.82	77.0 / 6684	0.52 0.70	77.0 / 6684	0.44 0.59	77.0 / 6684	0.37 0.50	77.0 / 6684		
613 / 10										
614 / 08									0.40 0.54	103 / 8940
614 / 09	0.82 1.10	103 / 8940	0.69 0.92	103 / 8940	0.59 0.79	103 / 8940	0.50 0.67	103 / 8940	0.40 0.54	103 / 8940
614 / 10	0.82 1.10	103 / 8940	0.69 0.92	103 / 8940						
616 / 09	1.15 1.54	145 / 12586	1.07 1.43	160 / 13888	1.05 1.41	183 / 15884	0.89 1.19	183 / 15884	0.71 0.95	183 / 15884
616 / 10	1.45 1.94	183 / 15884	1.23 1.65	183 / 15884	1.05 1.41	183 / 15884	0.89 1.19	183 / 15884		
616 / 11										
617 / 09									1.08 1.45	278 / 24130
617 / 10	2.20 2.95	278 / 24130	1.86 2.49	278 / 24130	1.59 2.13	278 / 24130	1.35 1.81	278 / 24130	1.08 1.45	278 / 24130
617 / 11	2.20 2.95	278 / 24130			2.13 2.86	278 / 24130				
618 / 10	2.49 3.34	315 / 27342	2.70 3.62	403 / 34980	2.35 3.15	410 / 35588	1.99 2.67	410 / 35588	1.58 2.12	410 / 35588
618 / 13	3.25 4.36	410 / 35588	2.75 3.69	410 / 35588	2.35 3.15	410 / 35588	1.99 2.67	410 / 35588		
619 / 11	4.43 5.94	560 / 48608	3.89 5.22	580 / 50344	3.56 4.77	620 / 53816	2.81 3.77	580 / 50344	2.28 3.06	590 / 51212
619 / 13	5.78 7.75	730 / 63364	4.89 6.66	730 / 63364	4.19 5.62	730 / 63364	3.54 4.75	730 / 63364	2.82 3.78	730 / 63364
620 / 11										
620 / 13	5.78 7.75	730 / 83364			4.19 5.62	730 / 83364			3.31 4.44	855 / 74214
621 / 13	7.64 10.2	965 / 83762	6.47 8.68	965 / 83762	5.53 7.42	965 / 83762	4.68 6.28	965 / 83762	4.37 5.86	1130 / 98084
621 / 16	7.64 10.2	965 / 83762			5.53 7.42	965 / 83762			4.37 5.86	1130 / 98084
622 / 13	9.90 13.3	1250 / 108500	8.54 11.4	1275 / 110670	7.31 9.80	1275 / 110670	6.19 8.30	1275 / 110670	5.57 7.47	1440 / 124992
622 / 17	10.1 13.5	1275 / 110670	8.54 11.4	1275 / 110670	7.31 9.80	1275 / 110670	6.19 8.3	1275 / 110670		
623 / 16	12.6 16.9	1590 / 138012	10.8 14.5	1620 / 140616	9.00 12.1	1570 / 136276	7.86 10.5	1620 / 140616	7.06 9.47	1825 / 158410
623 / 18										
624 / 16	16.0 21.4	2020 / 175336	13.7 18.4	2050 / 177940	11.5 15.4	2000 / 173600	9.95 13.3	2050 / 177940	9.09 12.2	2350 / 203980
624 / 18	16.2 21.7	2050 / 177940	13.7 18.4	2050 / 177940	11.6 15.6	2030 / 176204	9.95 13.3	2050 / 177940	9.09 12.2	2350 / 203980
625 / 17	21.0 28.2	2650 / 230020	17.8 23.9	2650 / 230020	15.2 20.4	2650 / 230020	12.8 17.2	2650 / 230020	11.8 15.8	3050 / 264740
625 / 19	21.0 28.2	2650 / 230020								
626 / 19	27.4 36.7	3460 / 300328	23.4 31.4	3500 / 303800	20.1 27.0	3500 / 303800	17.0 22.8	3500 / 303800	16.0 21.4	4140 / 359352
627 / 19					33.8 45.3	5900 / 512120	29.8 40.0	6150 / 533820	23.8 31.9	6150 / 533820

SELECTION TABLE FOR DOUBLE STAGE REDUCERS

TRANSCYKO®



Ratio	559 (43 x 13)		649 (59 x 11)		731 (43 x 17)		841 (29 x 29)		1003 (59 x 17)	
Output Speed (R.P.M)	2.7		2.3		2.1		1.8		1.5	
Frame Size	Input kw/HP	Output Torque kg .m / in .lb	Input kw/HP	Output Torque kg .m / in .lb	Input kw/HP	Output Torque kg .m / in .lb	Input kw/HP	Output Torque kg .m / in .lb	Input kw/HP	Output Torque kg .m / in .lb
607 / 07	0.10 0.13	2.50 / 217			0.10 0.13	2.50 / 217	0.10 0.13	2.50 / 217		
608 / 07	0.10 0.13	5.10 / 443	0.10 0.13	5.10 / 443	0.10 0.13	5.10 / 443	0.10 0.13	5.10 / 443	0.10 0.13	5.10 / 443
609 / 08	0.10 0.13	13.0 / 1128	0.10 0.13	13.0 / 1128	0.10 0.13	13.0 / 1128	0.10 0.13	13.0 / 1128	0.10 0.13	13.0 / 1128
610 / 08	0.10 0.13	26.0 / 2257	0.10 0.13	26.0 / 2257	0.10 0.13	26.0 / 2257	0.10 0.13	26.0 / 2257	0.10 0.13	26.0 / 2257
611 / 08	0.17 0.23	51.0 / 4427	0.14 0.19	51.0 / 4427	0.13 0.17	51.0 / 4427	0.11 0.15	51.0 / 4427	0.10 0.13	51.0 / 4427
611 / 09										
613 / 08	0.25 0.34	77.0 / 6684	0.22 0.30	77.0 / 6684	0.20 0.27	77.0 / 6684	0.20 0.27	77.0 / 6684	0.20 0.27	77.0 / 6684
613 / 09										
613 / 10										
614 / 08	0.34 0.46	103 / 8940	0.29 0.39	103 / 8940	0.26 0.35	103 / 8940	0.22 0.30	103 / 8940	0.20 0.27	103 / 8940
614 / 09	0.34 0.46	103 / 8940					0.22 0.30	103 / 8940		
614 / 10										
616 / 09	0.60 0.80	183 / 15884	0.52 0.70	183 / 15884	0.46 0.62	183 / 15884	0.40 0.54	183 / 15884	0.40 0.54	183 / 15884
616 / 10										
616 / 11										
617 / 09	0.91 1.22	278 / 24130	0.78 1.05	278 / 24130	0.70 0.94	278 / 24130	0.60 0.80	278 / 24130	0.51 0.68	278 / 24130
617 / 10	0.91 1.22	278 / 24130	0.78 1.05	278 / 24130			0.60 0.80	278 / 24130		
617 / 11										
618 / 10	1.34 1.80	410 / 35588	1.16 1.56	410 / 35588	1.02 1.37	410 / 35588	0.89 1.19	410 / 35588	0.75 1.00	410 / 35588
618 / 13			1.16 1.56	410 / 35588						
619 / 11	2.00 2.68	610 / 52948	1.78 2.39	630 / 54684	1.70 2.28	680 / 59024	1.59 2.13	730 / 63364	1.31 1.76	720 / 62496
619 / 13	2.39 3.20	730 / 63364	2.06 2.76	730 / 63364	1.83 2.45	730 / 63364	1.59 2.13	730 / 63364	1.33 1.78	730 / 63364
620 / 11										
620 / 13	2.80 3.75	855 / 74214	2.41 3.23	855 / 74214	2.20 2.95	855 / 74214			3.31 4.44	840 / 72912
621 / 13	3.70 4.96	1130 / 98084	3.18 4.26	1130 / 98084	2.83 3.80	1130 / 98084	2.20 2.95	978 / 84890	2.20 2.95	1130 / 98084
621 / 16										
622 / 13	4.71 6.32	1440 / 124992	4.06 5.44	1440 / 124992	3.60 4.82	1440 / 124992	2.72 3.65	1250 / 108500	2.63 3.53	1440 / 124992
622 / 17										
623 / 16	5.97 8.01	1825 / 158410	5.14 6.89	1825 / 158410	4.57 6.13	1825 / 158410	3.57 4.79	1640 / 142352	3.33 4.46	1825 / 158410
623 / 18										
624 / 16	7.69 10.3	2350 / 203980	6.62 8.88	2350 / 203980	5.88 7.88	2350 / 203980	4.46 5.98	2050 / 177940	4.28 5.74	2350 / 203980
624 / 18			6.62 8.88	2350 / 203980						
625 / 17	9.98 13.4	3050 / 264740	8.60 11.5	3050 / 264740	7.63 10.2	3050 / 264740	5.86 7.86	2695 / 233926	5.56 7.46	3050 / 264740
625 / 19										
626 / 19	13.5 18.1	4140 / 359352	11.7 15.7	4140 / 359352	10.4 13.9	4140 / 359352	7.70 10.3	3540 / 307272	7.55 10.1	4140 / 359352
627 / 19	20.1 27.0	6150 / 533820	17.3 23.2	6150 / 533820	15.4 20.6	6150 / 533820	13.4 18.0	6150 / 533820	11.2 15.0	6150 / 533820



Ratio	1247 (43 x 29)		1479 (87 x 17)		1849 (43 x 43)		2065 (59 x 35)		2537 (59 x 43)	
Output Speed (R.P.M)	1.2		1.0		0.81		0.73		0.59	
Frame Size	Input kw/HP	Output Torque kg.m / in.lb	Input kw/HP	Output Torque kg.m / in.lb	Input kw/HP	Output Torque kg.m / in.lb	Input kw/HP	Output Torque kg.m / in.lb	Input kw/HP	Output Torque kg.m / in.lb
607 / 07	0.10 0.13	2.50 / 217			0.10 0.13	2.50 / 217				
608 / 07	0.10 0.13	5.10 / 443			0.10 0.13	5.10 / 443	0.10 0.13	5.10 / 443	0.10 0.13	5.10 / 443
609 / 08	0.10 0.13	13.0 / 1128	0.10 0.13	13.0 / 1128	0.10 0.13	13.0 / 1128	0.10 0.13	13.0 / 1128	0.10 0.13	13.0 / 1128
610 / 08	0.10 0.13	26.0 / 2257	0.10 0.13	26.0 / 2257	0.10 0.13	26.0 / 2257	0.10 0.13	26.0 / 2257	0.10 0.13	26.0 / 2257
611 / 08	0.10 0.13	51.0 / 4427	0.10 0.13	51.0 / 4427	0.10 0.13	51.0 / 4427	0.10 0.13	51.0 / 4427	0.10 0.13	51.0 / 4427
611 / 09										
613 / 08	0.20 0.27	77.0 / 6684	0.20 0.27	77.0 / 6684	0.20 0.27	77.0 / 6684	0.20 0.27	77.0 / 6684	0.20 0.27	77.0 / 6684
613 / 09										
613 / 10										
614 / 08	0.20 0.27	103 / 8940	0.20 0.27	103 / 8940	0.20 0.27	103 / 8940	0.20 0.27	103 / 8940	0.20 0.27	103 / 8940
614 / 09										
614 / 10										
616 / 09	0.40 0.54	183 / 15884	0.40 0.54	183 / 15884	0.20 0.27	183 / 15884	0.20 0.27	183 / 15884	0.20 0.27	183 / 15884
616 / 10										
616 / 11										
617 / 09	0.40 0.54	278 / 24130	0.40 0.54	278 / 24130	0.40 0.54	278 / 24130	0.40 0.54	278 / 24130	0.20 0.27	278 / 24130
617 / 10										
617 / 11										
618 / 10	0.75 1.00	410 / 35588	0.75 1.00	410 / 35588	0.75 1.00	410 / 35588	0.40 0.54	410 / 35588	0.40 0.54	410 / 35588
618 / 13										
619 / 11	1.07 1.43	730 / 63364	0.90 1.21	730 / 63364	0.75 1.00	730 / 63364	0.75 1.00	730 / 63364	0.75 1.00	730 / 63364
619 / 13			0.90 1.21	730 / 63364						
620 / 11					1.50 2.01	810 / 70308	1.50 2.01	810 / 70308	0.75 1.00	810 / 70308
620 / 13	1.50 2.01	840 / 72912			1.50 2.01	840 / 72912	1.50 2.01	840 / 72912	0.75 1.00	840 / 72912
621 / 13	2.20 2.95	1130 / 98084	1.50 2.01	1130 / 98084	1.50 2.01	1140 / 98952	1.50 2.01	1140 / 98952	1.50 2.01	1140 / 98952
621 / 16										
622 / 13	2.20 2.95	1420 / 123256	2.20 2.95	1420 / 123256	1.50 2.01	1440 / 124992	1.50 2.01	1440 / 124992	1.50 2.01	1440 / 124992
622 / 17										
623 / 16	2.68 3.59	1825 / 158410	2.20 2.95	1640 / 142352	2.20 2.95	1825 / 158410	2.20 2.95	1825 / 158410	2.20 2.95	1825 / 158410
623 / 18										
624 / 16	3.45 4.63	2350 / 203980	2.56 3.43	2070 / 179676	2.32 3.11	2350 / 203980	2.20 2.95	2350 / 203980	2.20 2.95	2350 / 203980
624 / 18										
625 / 17	4.47 5.99	3050 / 264740	3.70 4.96	2695 / 233926	3.70 4.96	3050 / 264740	3.70 4.96	3050 / 264740	3.70 4.96	3050 / 264740
625 / 19										
626 / 19	6.07 8.14	4140 / 359352	5.50 7.38	3650 / 316820	5.50 7.38	4140 / 359352	5.50 7.38	4140 / 359352	5.50 7.38	4100 / 359352
627 / 19	11.0 14.8	6150 / 533820	11.0 14.8	6150 / 533820	7.50 10.0	6150 / 533820	7.50 10.0	6150 / 533820	7.50 10.0	6150 / 533820

SELECTION TABLE FOR DOUBLE STAGE REDUCERS

TRANSCYKO®



Ratio	3045 (87 x 35)		3481 (59 x 59)		4437 (87 x 51)		5133 (87 x 59)		6177 (87 x 71)		7569 (87 x 87)	
Output Speed (R.P.M)	0.49		0.43		0.34		0.29		0.24		0.20	
Frame Size	Input kw/HP	Output Torque kg.m / in.lb	Input kw/HP	Output Torque kg.m / in.lb	Input kw/HP	Output Torque kg.m / in.lb	Input kw/HP	Output Torque kg.m / in.lb	Input kw/HP	Output Torque kg.m / in.lb	Input kw/HP	Output Torque kg.m / in.lb
607 / 07												
608 / 07												
609 / 08	0.10 0.13	13.0 / 1128	0.10 0.13	13.0 / 1128	0.10 0.13	13.0 / 1128	0.10 0.13	13.0 / 1128				
610 / 08	0.10 0.13	26.0 / 2257	0.10 0.13	26.0 / 2257	0.10 0.13	26.0 / 2257	0.10 0.13	26.0 / 2257				
611 / 08	0.10 0.13	51.0 / 4427	0.10 0.13	51.0 / 4427	0.10 0.13	51.0 / 4427	0.10 0.13	51.0 / 4427				
611 / 09									0.10 0.13	51.0 / 4427	0.10 0.13	51.0 / 4427
613 / 08	0.20 0.27	77.0 / 6684	0.20 0.27	77.0 / 6684	0.20 0.27	77.0 / 6684	0.20 0.27	77.0 / 6684				
613 / 09									0.20 0.27	77.0 / 6684	0.20 0.27	77.0 / 6684
613 / 10												
614 / 08	0.20 0.27	103 / 8940	0.20 0.27	103 / 8940	0.20 0.27	103 / 8940	0.20 0.27	103 / 8940				
614 / 09									0.20 0.27	103 / 8940	0.20 0.27	103 / 8940
614 / 10												
616 / 09	0.20 0.27	183 / 15884	0.20 0.27	183 / 15884	0.20 0.27	183 / 15884	0.20 0.27	183 / 15884	0.20 0.27	183 / 15884	0.20 0.27	183 / 15884
616 / 10												
616 / 11												
617 / 09	0.20 0.27	278 / 24130	0.20 0.27	278 / 24130	0.20 0.27	278 / 24130	0.20 0.27	278 / 24130	0.20 0.27	278 / 24130	0.20 0.27	278 / 24130
617 / 10												
617 / 11												
618 / 10	0.40 0.54	410 / 35588	0.40 0.54	410 / 35588	0.40 0.54	410 / 35588	0.40 0.54	410 / 35588	0.40 0.54	410 / 35588	0.40 0.54	410 / 35588
618 / 13												
619 / 11	0.75 1.00	730 / 63364	0.75 1.00	730 / 63364	0.75 1.00	730 / 63364	0.75 1.00	730 / 63364	0.75 1.00	730 / 63364	0.75 1.00	730 / 63364
619 / 13												
620 / 11			0.75 1.00	860 / 74648			0.75 1.00	860 / 74648				
620 / 13												
621 / 13	1.50 2.01	955 / 82894	1.50 2.01	1140 / 98952	1.50 2.01	950 / 82460	1.50 2.01	1140 / 98952	1.50 2.01	950 / 82460	1.50 2.01	950 / 82460
621 / 16												
622 / 13	1.50 2.01	1250 / 108500	1.50 2.01	1440 / 124992	1.50 2.01	1275 / 110670	1.50 2.01	1440 / 124992	1.50 2.01	1275 / 110670	1.50 2.01	1275 / 110670
622 / 17												
623 / 16	2.20 2.95	1620 / 140616	2.20 2.95	1810 / 157108	2.20 2.95	1600 / 138880	2.20 2.95	1810 / 157108	2.20 2.95	1600 / 138880	2.20 2.95	1600 / 138880
623 / 18												
624 / 16	2.20 2.95	2050 / 177940	2.20 2.95	2350 / 203980	2.20 2.95	2050 / 177940	2.20 2.95	2350 / 203980	2.20 2.95	2050 / 177940	2.20 2.95	2050 / 177940
624 / 18												
625 / 17	3.70 4.96	2650 / 227700	3.70 4.96	3050 / 264740	3.70 4.96	2650 / 230020	3.70 4.96	3050 / 264740	3.70 4.96	2650 / 230020	3.70 4.96	2650 / 230020
625 / 19												
626 / 19	5.50 7.38	3540 / 307272	5.50 7.38	4100 / 355880	5.50 7.38	3520 / 305536	5.50 7.38	4100 / 355880	5.50 7.38	3520 / 305536	5.50 7.38	3520 / 305536
627 / 19	7.50 10.0	6150 / 533820	7.50 10.0	6150 / 533820	7.50 10.0	6150 / 533820	7.50 10.0	6150 / 533820	7.50 10.0	6150 / 533820	7.50 10.0	6150 / 533820

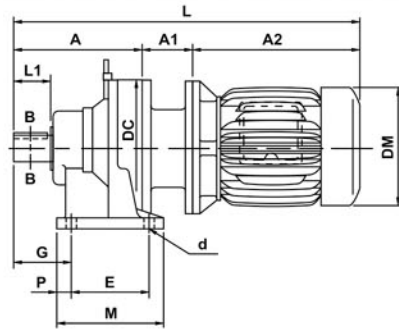
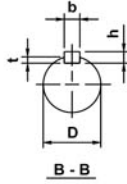
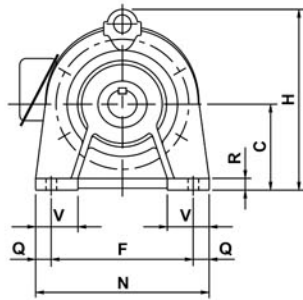


FIG 1

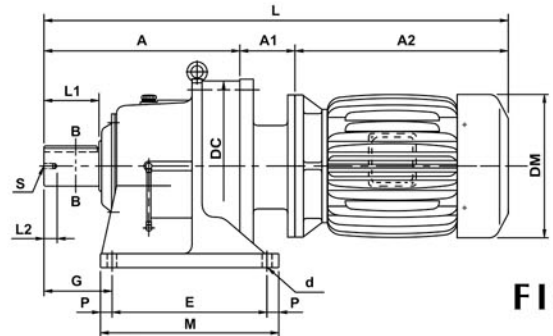
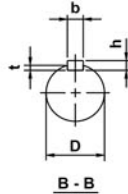
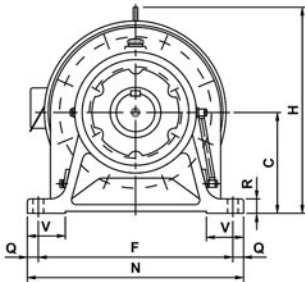


FIG 2

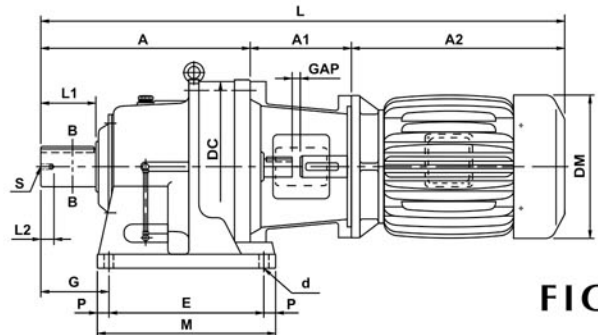
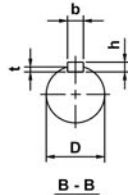
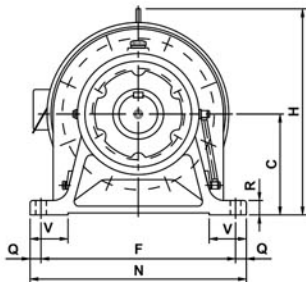


FIG 3

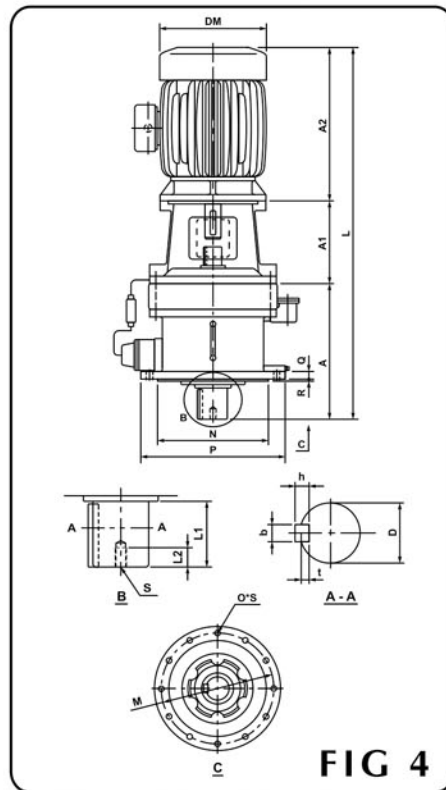
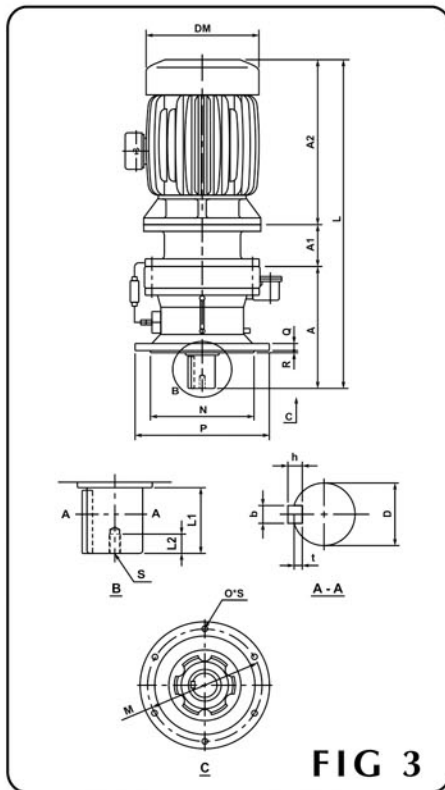
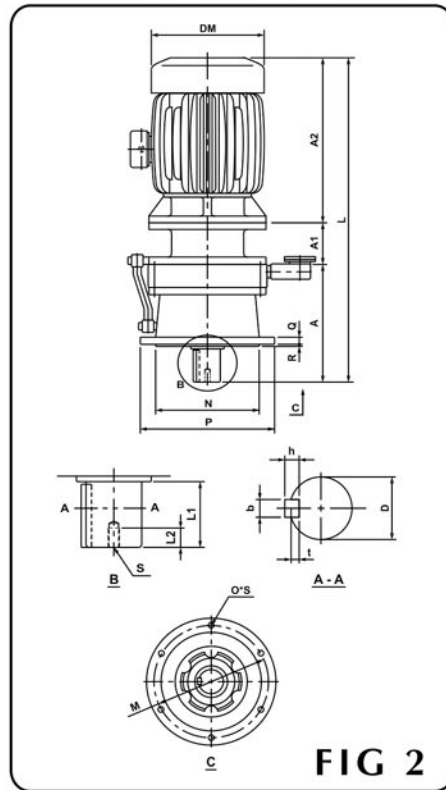
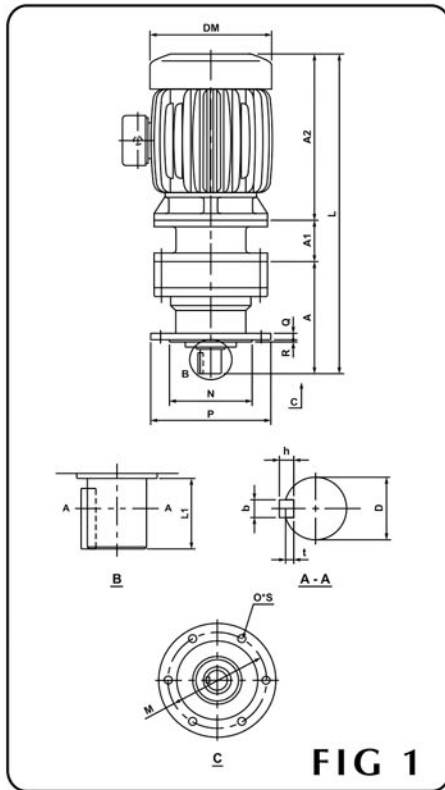
Model	Power	Fig	A	A1	A2	C	DC	DM	E	F	G	H	L	M	N	P	Q	R	V	d	Output Shaft							Weight Kg
																					D	L1	b	h	t	S	L2	
THX05-608	0.4	1	98	41	225	80	110	145	60	120	47	-	364	88	148	14	14	10	35	9	18	30	6	6	3.5	-	-	15
THX05-609		1	142	48	225	100	150	145	90	150	60	207	415	134	184	17	17	12	40	11	28	35	8	7	4	-	-	26
THX05-610		1	156	45	225	100	150	145	90	150	60	207	426	139	184	17	17	12	40	11	28	35	8	7	4	-	-	29
THX05-611		1	186	55	225	120	204	145	115	190	82	257	466	159	234	22	22	15	55	14	38	55	10	8	5	-	-	45
THX1-609	0.75	1	142	62	255	100	150	175	90	150	60	207	459	134	184	17	17	12	40	11	28	35	8	7	4	-	-	32
THX1-610		1	156	47	255	100	150	175	90	150	60	207	458	139	184	17	17	12	40	11	28	35	8	7	4	-	-	34
THX1-611	1.5	1	186	59	255	100	150	175	90	190	82	257	500	159	234	22	22	15	55	14	38	55	10	8	5	-	-	48
THX2-609		1	142	73	295	100	150	190	90	150	60	207	510	134	184	17	17	12	40	11	28	35	8	7	4	-	-	35
THX2-610		1	156	65	295	100	150	190	90	150	60	207	516	139	184	17	17	12	40	11	28	35	8	7	4	-	-	43
THX2-611		1	186	69	295	120	204	190	115	190	82	257	550	159	234	22	22	15	55	14	38	55	10	8	5	-	-	57
THHX2-613	2.2	2	240	68.5	295	150	230	190	145	290	100	300	604	199	334	27	22	22	65	18	50	70	14	9	5.5	M10	18	78
THHX2-614		2	260	68.5	295	150	230	190	145	290	120	300	624	199	334	27	22	22	65	18	50	90	14	9	5.5	M10	18	79
THHX2-615		2	260	68.5	295	160	230	190	145	290	120	310	624	199	334	27	22	22	70	18	50	90	14	9	5.5	M10	18	80
THX3-610	3.7	1	156	77	325	100	150	215	90	150	60	225	558	139	184	17	17	12	40	11	28	35	8	7	4	-	-	57
THX3-611		1	186	85.5	325	120	204	215	115	190	82	257	597	159	234	22	22	15	55	14	38	55	10	8	5	-	-	70
THHX3-613		2	240	84	325	150	230	215	145	290	100	300	649	199	334	27	22	22	65	18	50	70	14	9	5.5	M10	18	91
THHX3-614		2	260	84	325	150	230	215	145	290	120	300	669	199	334	27	22	22	65	18	50	90	14	9	5.5	M10	18	92
THHX3-615	5.5	2	260	84	325	160	230	215	145	290	120	310	669	199	334	27	22	22	70	18	50	90	14	9	5.5	M10	18	93
THHX3-616		2	308	77	325	160	300	215	150	370	139	320	710	242	414	46	22	25	75	18	60	90	18	11	7	M10	18	137
THHX5-611	5.5	1	186	85.5	350	120	204	236	115	190	82	257	622	159	234	22	22	15	55	14	38	55	10	8	5	-	-	82
THHX5-613		2	240	84	350	150	230	236	145	290	100	303	674	199	334	27	22	22	65	18	50	70	14	9	5.5	M10	18	93
THHX5-614		2	260	84	350	150	230	236	145	290	120	303	694	199	334	27	22	22	65	18	50	90	14	9	5.5	M10	18	104
THHX5-615		2	260	84	350	160	230	236	145	290	120	313	694	199	334	27	22	22	70	18	50	90	14	9	5.5	M10	18	107
THHX5-616		2	308	77	350	160	300	236	150	370	139	320	735	242	414	46	22	25	75	18	60	90	18	11	7	M10	18	146
THHX5-617		2	352	89	350	200	340	236	275	380	125	411	791	339	434	32	27	30	80	22	70	90	20	12	7.5	M12	24	175
THHX5-618	5.5	2	389	87	350	220	370	236	320	420	145	446	826	384	474	32	27	30	85	22	80	110	22	14	9	M12	24	210
THHX8-613		2	240	110	400	150	230	275	145	290	100	328	750	199	334	27	22	22	65	18	50	70	14	9	5.5	M10	18	124
THHX8-614		2	260	110	400	150	230	275	145	290	120	328	770	199	334	27	22	22	65	18	50	90	14	9	5.5	M10	18	124
THHX8-615		2	260	110	400	160	230	275	145	290	120	338	770	199	334	27	22	22	70	18	50	90	14	9	5.5	M10	18	127



DIMENSION DRAWING

(Single Stage Reduction)

Model	Power	Fig	A	A1	A2	C	DC	DM	E	F	G	H	L	M	N	P	Q	R	V	d	Output Shaft								Weight Kg
																					D	L1	b	h	t	S	L2		
THHX8-616	5.5	2	308	95	400	160	300	275	150	370	139	338	803	242	414	46	22	25	75	18	60	90	18	11	7	M10	18	168	
THHX8-617		2	352	109	400	200	340	275	275	380	125	411	861	339	434	32	27	30	80	22	70	90	20	12	7.5	M12	24	219	
THHX8-618		2	389	106	400	220	370	275	320	420	145	446	895	384	474	32	27	30	85	22	80	110	22	14	9	M12	24	222	
THHX8-619		2	465	106	400	250	430	275	380	480	170	511	971	444	534	32	27	35	90	26	95	135	25	14	9	M20	34	340	
THHX10-613	7.5	2	240	110	440	150	230	275	145	290	100	328	790	199	334	27	22	22	65	18	50	70	14	9	5.5	M10	18	136	
THHX10-614		2	260	110	440	150	230	275	145	290	120	328	810	199	334	27	22	22	65	18	50	90	14	9	5.5	M10	18	136	
THHX10-615		2	260	110	440	160	230	275	145	290	120	338	810	199	334	27	22	22	70	18	50	90	14	9	5.5	M10	18	139	
THHX10-616		2	308	95	440	160	300	275	150	370	139	338	843	242	414	46	22	25	75	18	60	90	18	11	7	M10	18	180	
THHX10-617	11	2	352	109	440	200	340	275	275	380	125	411	901	339	434	32	27	30	80	22	70	90	20	12	7.5	M12	24	230	
THHX10-618		2	389	106	440	220	370	275	320	420	145	446	935	384	474	32	27	30	85	22	80	110	22	14	9	M12	24	235	
THHX10-619		2	465	106	440	250	430	275	380	480	170	511	1011	444	534	32	27	35	90	26	95	135	25	14	9	M20	34	352	
THHX15-616		2	308	128	500	160	300	330	150	370	139	377	936	242	414	46	22	25	75	18	60	90	18	11	7	M10	18	223	
THHX15-617	15	2	352	136	500	200	340	330	275	380	125	411	988	339	434	32	27	30	80	22	70	90	20	12	7.5	M12	24	252	
THHX15-618		2	389	142	500	220	370	330	320	420	145	446	1031	384	474	32	27	30	85	22	80	110	22	14	9	M12	24	248	
THHX15-619		2	465	136	500	250	430	330	380	480	170	511	1101	444	534	32	27	35	90	26	95	135	25	14	9	M20	34	381	
THHX15-620		2	502	137	500	250	448	330	360	440	215	530	1139	444	534	42	47	35	100	26	100	165	28	16	10	M20	34	373	
THHX15-621	18.5	2	526	143	500	265	485	330	395	480	210	575	1169	479	584	42	52	40	110	26	110	165	28	16	10	M20	34	455	
THHC15-622		3	566	300	500	280	526	330	420	540	230	610	1366	524	624	52	42	40	115	33	120	165	32	18	11	M20	34	600	
THHX20-616		2	308	128	545	160	300	330	150	370	139	377	981	242	414	46	22	25	75	18	60	90	18	11	7	M10	18	242	
THHX20-617		2	352	136	545	200	340	330	275	380	125	411	1033	339	434	32	27	30	80	22	70	90	20	12	7.5	M12	24	267	
THHX20-618	22	2	389	142	545	220	370	330	320	420	145	446	1076	384	474	32	27	30	85	22	80	110	22	14	9	M12	24	308	
THHX20-619		2	465	136	545	250	430	330	380	480	170	511	1146	444	534	32	27	35	90	26	95	135	25	14	9	M20	34	393	
THHX20-620		2	502	137	545	250	448	330	360	440	215	530	1184	444	534	42	47	35	100	26	100	165	28	16	10	M20	34	427	
THHX20-621		2	526	143	545	265	485	330	395	480	210	575	1214	479	584	42	52	40	110	26	110	165	28	16	10	M20	34	510	
THHC20-622	28.5	3	566	300	545	280	526	330	420	540	230	610	1411	524	624	52	42	40	115	33	120	165	32	18	11	M20	34	600	
THHC20-623		3	628	325	610	300	562	380	460	580	260	667	1563	564	674	52	47	45	120	33	130	200	32	18	11	M24	41	697	
THHC25-622		3	566	300	570	280	526	380	420	540	230	610	1436	524	624	52	42	40	115	33	120	165	32	18	11	M20	34	600	
THHC25-623		3	628	356	650	300	562	420	460	580	260	667	1634	564	674	52	47	45	120	33	130	200	32	18	11	M24	41	697	
THHC25-624	30	3	657	365	650	335	614	420	480	630	263	729	1672	584	724	52	47	45	128	39	140	200	36	20	12	M24	41	818	
THHC25-625		3	775	410	650	375	670	420	520	670	320	815	1835	634	784	57	57	50	140	39	160	240	40	22	13	M30	49	1149	
THHC25-626		3	892	403	650	400	736	420	590	770	390	874	1945	704	884	57	57	55	160	45	170	300	40	22	13	M30	49	1439	
THHX30-620		2	502	150	610	250	448	380	360	440	215	530	1262	444	534	42	47	35	100	26	100	165	28	16	10	M20	34	496	
THHX30-621	37	2	526	142	610	265	485	380	395	480	210	575	1278	479	584	42	52	40	110	26	110	165	28	16	10	M20	34	570	
THHC30-622		3	566	300	610	280	485	380	420	540	230	610	1476	524	624	52	42	40	115	33	120	165	32	18	11	M20	34	600	
THHC30-623		3	628	356	650	300	562	420	460	580	260	667	1634	564	674	52	47	45	120	33	130	200	32	18	11	M24	41	697	
THHC30-624		3	657	365	650	335	614	420	480	630	263	729	1672	584	724	52	47	45	128	39	140	200	36	20	12	M24	41	818	
THHC30-625	45	3	775	410	650	375	670	420	520	670	320	815	1835	634	784	57	57	50	140	39	160	240	40	22	13	M30	49	1149	
THHC30-626		3	892	403	650	400	736	420	590	770	390	874	1945	704	884	57	57	55	160	45	170	300	40	22	13	M30	49	1439	
THHC40-619		3	465	272	650	250	430	420	380	480	170	511	1387	444	534	32	27	35	90	26	95	135	25	14	9	M20	34	431	
THHC40-620		3	502	319	650	250	448	420	360	440	215	530	1471	444	534	42	47	35	100	26	100	165	28	16	10	M20	34	450	
THHC40-621	54	3	526	325	650	265	485	420	395	480	210	575	1501	479	584	42	52	40	110	26	110	165	28	16	10	M20	34	527	
THHC40-622		3	566	330	650	280	526	420	420	540	230	610	1546	524	624	52	42	40	115	33	120	165	32	18	11	M20	34	612	
THHC40-623		3	628	356	710	300	562	465	460	580	260	667	1694	564	674	52	47	45	120	33	130	200	32	18	11	M24	41	743	
THHC40-624		3	657	365	710	335	614	465	480	630	263	729	1732	584	724	52	47	45	128	39	140	200	36	20	12	M24	41	864	
THHC40-625	75	3	775	410	710	375	670	465	520	670	320	815	1895	634	784	57	57	50	140	39	160	240	40	22	13	M30	49	1193	
THHC40-626		3	892	403	710	400	736	465	590	770	390	874	2005	704	884	57	57	55	160	45	170	300	40	22	13	M30	49	1439	
THHC50-620		3	502	319	650	250	448	420	360	440	215	530	1471	444	534	42	47	35	100	26	100	165	28	16	10	M20	34	487	
THHC50-621		3	526	325	685	265	485	465	395	480	210	575	1536	479	584	42	52	40	110	26	110	165	28	16	10	M20	34	559	
THHC50-622	105	3	566	331	685	280	526	465	420	540	230	610	1582	524	624	52	42	40	115	33	120	165	32	18	11	M20	34	650	
THHC50-623		3	628	325	785	300	562	520	460	580	260	667	1738	564	674	52	47	45	120	33	130	200	32	18	11	M24	41	743	
THHC50-624		3	657	365	785	335	614	520	480	630	263	729	1807	584	724	52	47	45	128	39	140	200	36	20	12	M24	41	864	
THHC50-625		3	775	410	785	375	670	520	520	670	320	815	1970	634	784	57	57	50	140	39	160	240	40	22	13	M30	49	1193	
THHC50-626	3	892	403	785	400	736	520	590	770	390	874	2080	704	884	57	57	55	160											





DIMENSION DRAWING

(Single Stage Reduction)

Model	Power	Fig	A	A1	A2	DM	L	M	N	O*S	P	Q	R	Output Shaft						Weight Kg	
														D	L1	b	h	t	S		L2
TVX05-608	0.4	1	98	41	225	145	364	134	110	4*11	160	9	3	18	30	6	6	3.5	-	-	19
TVX05-609		1	142	48	225	145	415	134	110	4*11	160	9	3	28	35	8	7	4	-	-	23
TVX05-610		1	156	45	225	145	426	134	110	4*11	160	9	3	28	35	8	7	4	-	-	25
TVX05-611		1	186	55	225	145	466	180	140	6*11	210	13	4	38	55	10	8	5	-	-	38
TVX1-609	0.75	1	142	62	255	175	459	134	110	4*11	160	9	4	28	35	8	7	4	-	-	28
TVX1-610		1	156	47	255	175	458	134	110	4*11	160	9	3	28	35	8	7	4	-	-	30
TVX1-611		1	186	59	255	175	500	180	140	6*11	210	13	4	38	55	10	8	5	-	-	46
TVX2-609	1.5	1	142	73	295	190	510	134	110	4*11	160	9	3	28	35	8	7	4	-	-	35
TVX2-610		1	156	65	295	190	516	134	110	4*11	160	9	3	28	35	8	7	4	-	-	41
TVX2-611		1	186	69	295	190	550	180	140	6*11	210	13	4	38	55	10	8	5	-	-	55
TDVX2-613		2	240	68.5	295	190	604	230	200	6*11	260	15	4	50	61	14	9	5.5	M10	18	77
TDVX2-614		2	260	68.5	295	190	624	230	200	6*11	260	15	4	50	81	14	9	5.5	M10	18	78
TDVX2-615	2	260	68.5	295	190	624	230	200	6*11	260	15	4	50	81	14	9	5.5	M10	18	78	
TVX3-610	2.2	1	156	77	325	215	558	134	110	4*11	160	9	3	28	35	8	7	4	-	-	55
TVX3-611		1	186	85.5	325	215	597	180	140	6*11	210	13	4	38	55	10	8	5	-	-	68
TDVX3-613		2	240	84	325	215	649	230	200	6*11	260	15	4	50	61	14	9	5.5	M10	18	90
TDVX3-614		2	260	84	325	215	669	230	200	6*11	260	15	4	50	81	14	9	5.5	M10	18	91
TDVX3-615		2	260	84	325	215	669	230	200	6*11	260	15	4	50	81	14	9	5.5	M10	18	91
TDVX3-616		3	308	77	325	215	710	310	270	6*11	340	20	4	60	80	18	11	7	M10	18	127
TVX5-611	3.7	1	186	85.5	350	236	622	180	140	6*11	210	13	4	38	55	10	8	5	-	-	79
TDVX5-613		2	240	84	350	236	674	230	200	6*11	260	15	4	50	61	14	9	5.5	M10	18	101
TDVX5-614		2	260	84	350	236	694	230	200	6*11	260	15	4	50	81	14	9	5.5	M10	18	102
TDVX5-615		2	260	84	350	236	694	230	200	6*11	260	15	4	50	81	14	9	5.5	M10	18	102
TDVX5-616		3	308	77	350	236	735	310	270	6*11	340	20	4	60	80	18	11	7	M10	18	142
TDVX5-617		3	352	89	350	236	791	360	316	8*14	400	22	5	70	84	20	12	7.5	M12	24	192
TDVX5-618		3	389	87	350	236	826	390	345	8*18	430	22	5	80	100	22	14	9	M12	24	220
TDVX8-613		5.5	2	240	110	400	275	750	230	200	6*11	260	15	4	50	61	14	9	5.5	M10	18
TDVX8-614	2		260	110	400	275	770	230	200	6*11	260	15	4	50	81	14	9	5.5	M10	18	124
TDVX8-615	2		260	110	400	275	770	230	200	6*11	260	15	4	50	81	14	9	5.5	M10	18	124
TDVX8-616	3		308	95	400	275	803	310	270	6*11	340	20	4	60	80	18	11	7	M10	18	163
TDVX8-617	3		352	109	400	275	861	360	316	8*14	400	22	5	70	84	20	12	7.5	M12	24	215
TDVX8-618	3		389	106	400	275	895	390	345	8*18	430	22	5	80	100	22	14	9	M12	24	241
TDVX8-619	3		465	106	400	275	971	450	400	12*18	490	30	6	95	125	25	14	9	M20	34	313
TDVX10-613	7.5	2	240	110	440	275	790	230	200	6*11	260	15	4	50	61	14	9	5.5	M10	18	135
TDVX10-614		2	260	110	440	275	810	230	200	6*11	260	15	4	50	81	14	9	5.5	M10	18	136
TDVX10-615		2	260	110	440	275	810	230	200	6*11	260	15	4	50	81	14	9	5.5	M10	18	136
TDVX10-616		3	308	95	440	275	843	310	270	6*11	340	20	4	60	80	18	11	7	M10	18	175
TDVX10-617		3	352	109	440	275	901	360	316	8*14	400	22	5	70	84	20	12	7.5	M12	24	228
TDVX10-618		3	389	106	440	275	935	390	345	8*18	430	22	5	80	100	22	14	9	M12	24	253
TDVX10-619		3	465	106	440	275	1011	450	400	12*18	490	30	6	95	125	25	14	9	M20	34	324
TDVX15-616	11	3	308	128	500	330	936	310	270	6*11	340	20	4	60	80	18	11	7	M10	18	208
TDVX15-617		3	352	136	500	330	988	360	316	8*14	400	22	5	70	84	20	12	7.5	M12	24	231
TDVX15-618		3	389	142	500	330	1031	390	345	8*18	430	22	5	80	100	22	14	9	M12	24	290
TDVX15-619		3	465	136	500	330	1101	450	400	12*18	490	30	6	95	125	25	14	9	M20	34	360
TDVX15-620		3	502	137	500	330	1139	405	355	8*22	455	30	5	100	165	28	16	10	M20	34	394
TDVX15-621		3	526	143	500	330	1169	440	390	8*24	490	35	7	110	165	28	16	10	M20	34	473
TDVC15-622	4	566	300	500	330	1366	475	415	8*27	535	35	10	120	165	32	18	11	M20	34	550	
TDVX20-616	15	3	308	128	545	330	981	310	270	6*11	340	20	4	60	80	18	11	7	M10	18	225
TDVX20-617		3	352	136	545	330	1033	360	316	8*14	400	22	5	70	84	20	12	7.5	M12	24	266
TDVX20-618		3	389	142	545	330	1076	390	345	8*18	430	22	5	80	100	22	14	9	M12	24	294
TDVX20-619		3	465	136	545	330	1146	450	400	12*18	490	30	6	95	125	25	14	9	M20	34	379
TDVX20-620		3	502	137	545	330	1184	405	355	8*22	455	30	5	100	165	28	16	10	M20	34	394
TDVX20-621		3	526	143	545	330	1214	440	390	8*24	490	35	7	110	165	28	16	10	M20	34	492
TDVC20-622		4	566	300	545	330	1411	475	415	8*27	535	35	10	120	165	32	18	11	M20	34	572
TDVC20-623		4	628	325	610	380	1563	510	450	8*27	570	40	10	130	200	32	18	11	M24	41	655
TDVC25-622	18.5	4	566	300	570	380	1436	475	415	8*27	535	35	10	120	165	32	18	11	M20	34	595
TDVC25-623		4	628	356	650	420	1634	510	450	8*27	570	40	10	130	200	32	18	11	M24	41	680
TDVC25-624	4	657	365	650	420	1672	560	485	8*33	635	40	10	140	200	36	20	12	M24	41	730	



Model	Power	Fig	A	A1	A2	DM	L	M	N	O*S	P	Q	R	Output Shaft						Weight Kg	
														D	L1	b	h	t	S		L2
TDVC25-625	18.5	4	775	410	650	420	1835	610	535	8*33	685	45	10	160	240	40	22	13	M30	49	1075
TDVC25-626		4	892	403	650	420	1945	660	570	8*39	750	50	10	170	300	40	22	13	M30	49	1390
TDVX30-620	22	3	502	146	610	380	1258	405	355	8*22	455	30	5	100	165	28	16	10	M20	34	441
TDVX30-621		3	526	143	610	380	1279	440	390	8*24	490	35	7	110	165	28	16	10	M20	34	551
TDVC30-622		4	566	300	610	380	1476	475	415	8*27	535	35	10	120	165	32	18	11	M20	34	595
TDVC30-623		4	628	356	650	420	1634	510	450	8*27	570	40	10	130	200	32	18	11	M24	41	680
TDVC30-624		4	657	365	650	420	1672	560	485	8*33	635	40	10	140	200	36	20	12	M24	41	732
TDVC30-625		4	775	410	650	420	1835	610	535	8*33	685	45	10	160	240	40	22	13	M30	49	1085
TDVC30-626		4	892	403	650	420	1945	660	570	8*39	750	50	10	170	300	40	22	13	M30	49	1390
TDVC40-619		30	4	465	272	650	420	1387	450	400	12*18	490	30	6	95	125	25	14	9	M20	34
TDVC40-620	4		502	319	650	420	1471	405	355	8*22	455	30	5	100	165	28	16	10	M20	34	395
TDVC40-621	4		526	325	650	420	1501	440	390	8*24	490	35	7	110	165	28	22	10	M20	34	520
TDVC40-622	4		566	330	650	420	1546	475	415	8*27	535	35	10	120	165	32	18	11	M20	34	612
TDVC40-623	4		628	356	710	465	1694	510	450	8*27	570	40	10	130	200	32	18	11	M24	41	750
TDVC40-624	4		657	365	710	465	1732	560	485	8*33	635	40	10	140	200	36	20	12	M24	41	860
TDVC40-625	4		775	410	710	465	1895	610	535	8*33	685	45	10	160	240	40	22	13	M30	49	1150
TDVC40-626	4		892	403	710	465	2005	660	570	8*39	750	50	10	170	300	40	22	13	M30	49	1405
TDVC50-620	37	4	502	319	650	420	1471	405	355	8*22	455	30	5	100	165	28	16	10	M20	34	405
TDVC50-621		4	526	325	685	465	1536	440	390	8*24	490	35	7	110	165	28	16	10	M20	34	575
TDVC50-622		4	566	331	685	465	1582	475	415	8*27	535	35	10	120	165	32	18	11	M20	34	650
TDVC50-623		4	628	325	785	520	1738	510	450	8*27	570	40	10	130	200	32	18	11	M24	41	750
TDVC50-624		4	657	365	785	520	1807	560	485	8*33	635	40	10	140	200	36	20	12	M24	41	860
TDVC50-625		4	775	410	785	520	1970	610	535	8*33	685	45	10	160	240	40	22	13	M30	49	1150
TDVC50-626		4	892	403	785	520	2080	660	570	8*39	750	50	10	170	300	40	22	13	M30	49	1405

DIMENSION DRAWING

(Single Stage Reduction)

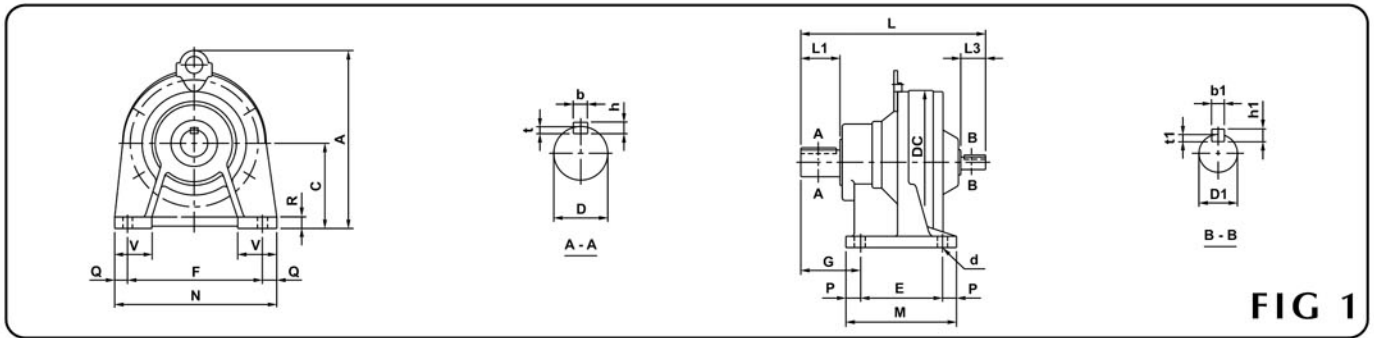


FIG 1

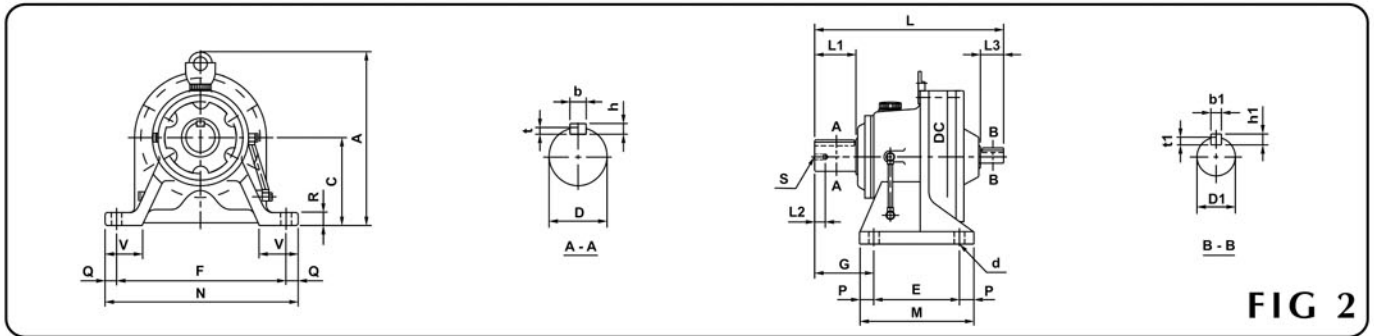


FIG 2

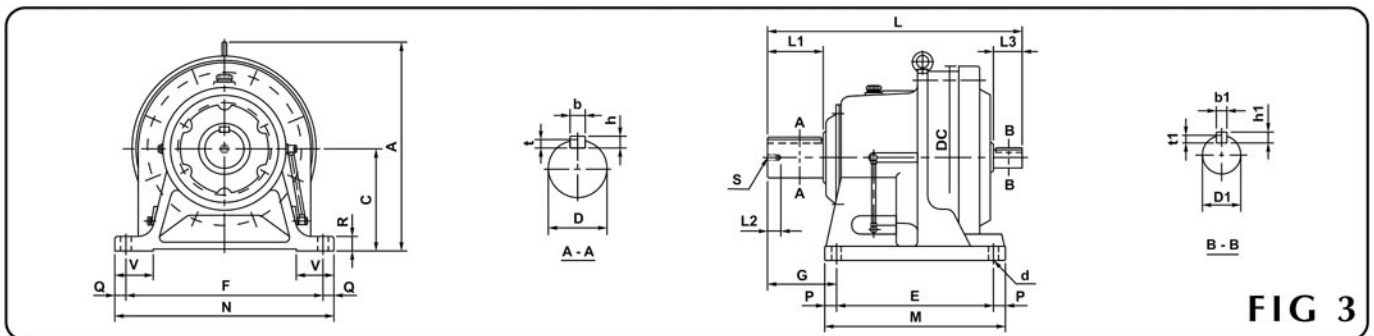


FIG 3

Model	Fig	A	C	DC	E	F	G	L	M	N	P	Q	R	V	d	Output Shaft						Input Shaft					Weight Kg	
																D	L1	b	h	t	S	L2	D1	L3	b1	h1		t1
TH 608	1	135	80	110	60	120	47	151	88	148	14	14	10	35	9	18	30	6	6	3.5	-	-	12	25	4	4	2.5	2.5
TH 609		207	100	150	90	150	60	202	134	184	17	17	12	40	11	28	35	8	7	4	-	-	15	25	5	5	3.5	12
TH 610		207	100	150	90	150	60	208	139	184	17	17	12	40	11	28	35	8	7	4	-	-	15	25	5	5	3.5	13
TH 611		257	120	204	115	190	82	259	159	234	22	22	15	55	14	38	55	10	8	5	-	-	18	35	6	6	3.5	24
TH 612		277	140	204	115	190	82	259	159	234	22	22	15	60	14	38	55	10	8	5	-	-	18	35	6	6	3.5	25
THH 613	2	300	150	230	145	290	100	321	199	334	27	22	22	65	18	50	70	14	9	5.5	M10	18	22	40	6	6	3.5	43
THH 614		300	150	230	145	290	120	341	199	334	27	22	22	65	18	50	90	14	9	5.5	M10	18	22	40	6	6	3.5	44
THH 615		310	160	230	145	290	120	341	197	332	27	22	22	70	18	50	90	14	9	5.5	M10	18	22	40	6	6	3.5	46
THH 616		319	160	318	150	370	139	413	242	414	46	22	25	75	18	60	90	18	11	7	M10	18	30	45	8	7	4	85
THH 617		381	200	362	275	380	125	477	339	434	32	27	30	80	22	70	90	20	12	7.5	M12	24	35	55	10	8	5	125
THH 618	3	415	220	390	320	420	145	527	384	474	32	27	30	85	22	80	110	22	14	9	M12	24	40	65	12	8	5	162
THH 619		476	250	451	380	480	170	620	444	534	32	27	35	90	26	95	135	25	14	9	M20	34	45	70	14	9	5.5	240
THH 620		530	250	471	360	440	215	678	444	534	42	47	35	100	26	100	165	28	16	10	M20	34	45	82	14	9	5.5	256
THH 621		575	265	507	395	480	210	708	479	584	42	52	40	110	26	110	165	28	16	10	M20	34	50	82	14	9	5.5	336
THH 622		610	280	549	420	540	230	752	524	624	52	42	40	115	33	120	165	32	18	11	M20	34	55	82	16	10	6	412
THH 623	667	300	591	460	580	260	839	564	674	52	47	45	120	33	130	200	32	18	11	M24	41	60	105	18	11	7	503	
THH 624	729	335	637	480	630	263	877	584	724	52	47	45	128	39	140	200	36	20	12	M24	41	65	105	18	11	7	616	
THH 625	815	375	703	520	670	320	1040	634	784	57	57	50	140	39	160	240	40	22	13	M30	49	80	130	22	14	9	955	
THH 626	874	400	772	590	770	390	1150	704	884	57	57	55	160	45	170	300	40	22	13	M30	49	80	130	22	14	9	1190	
THH 627	1161	540	986	840	1050	485	1462	1044	1164	102	57	60	200	45	180	330	45	25	15	M30	52	90	150	25	14	9	2460	

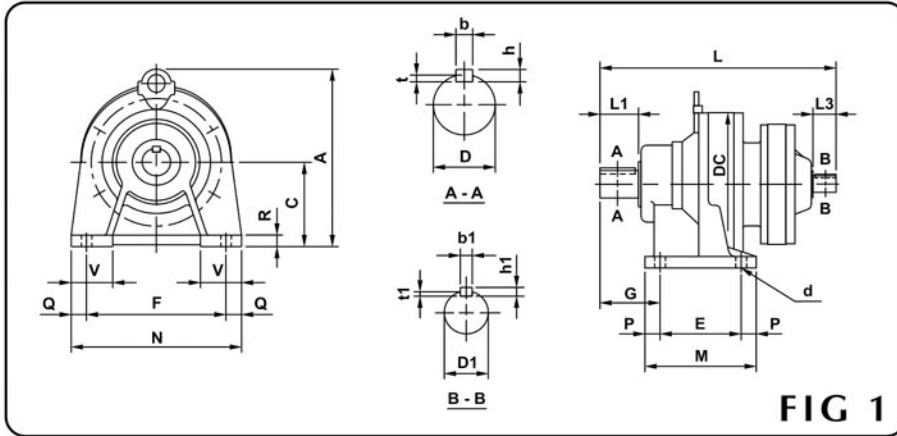


FIG 1

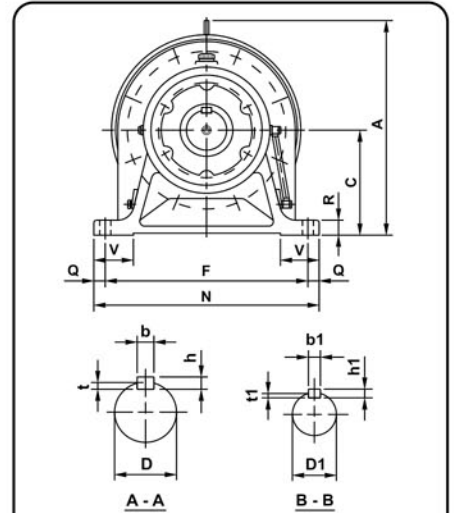


FIG 3

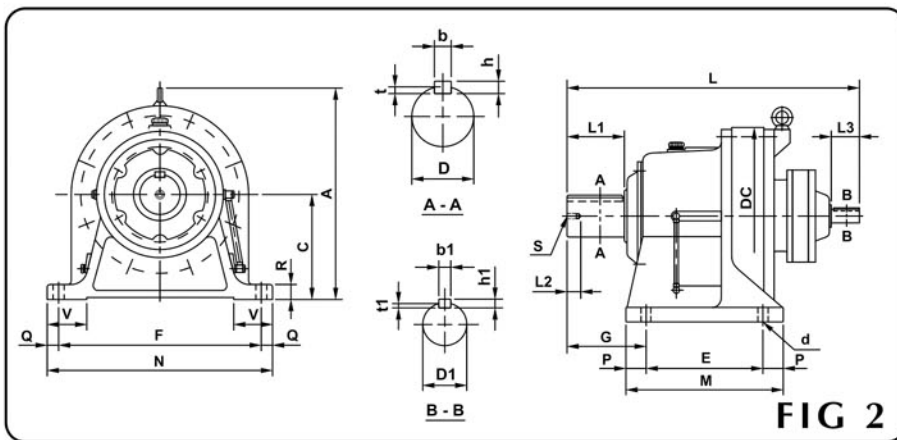


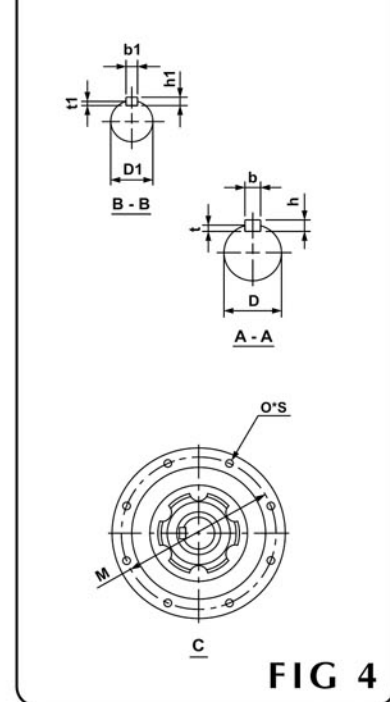
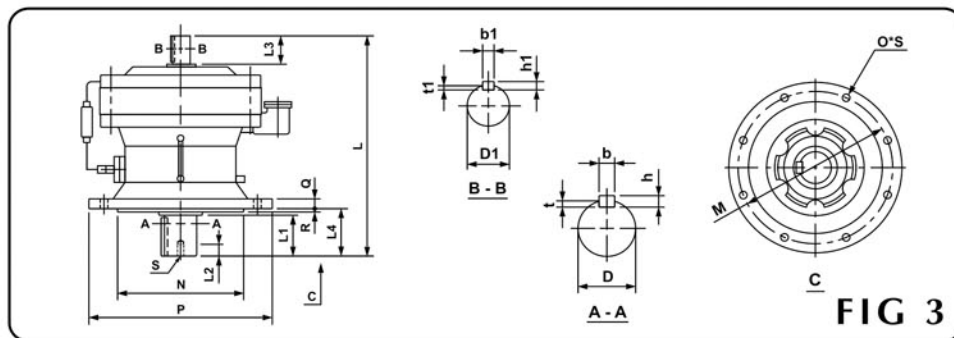
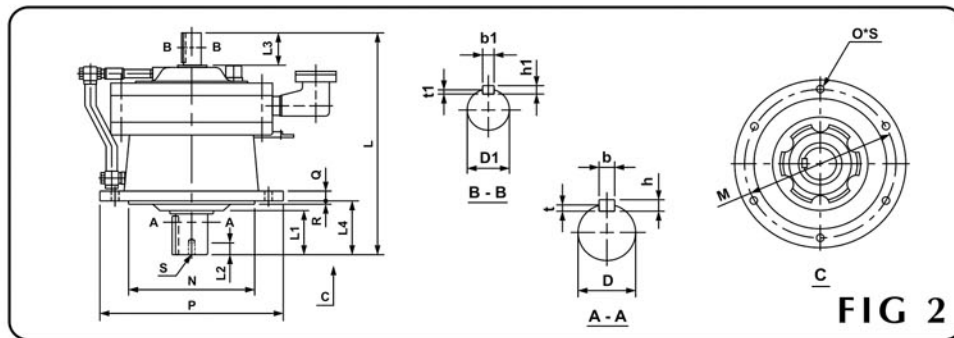
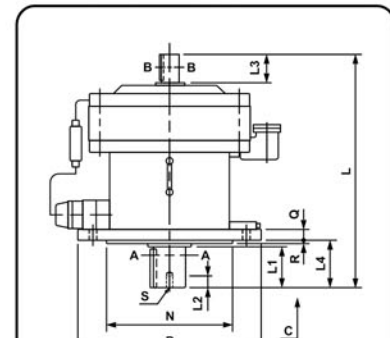
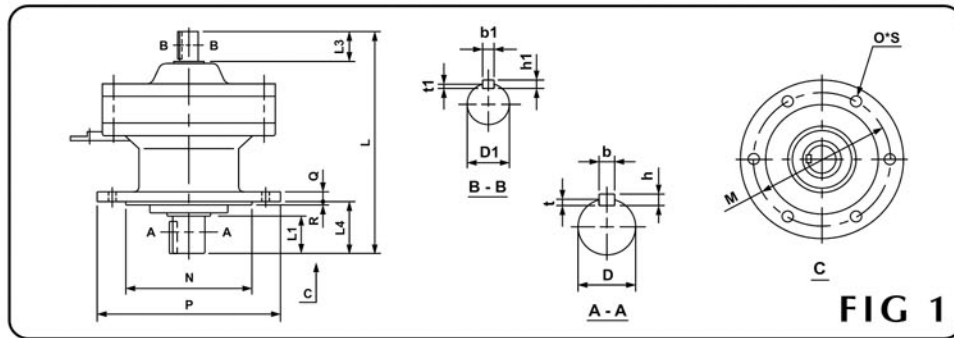
FIG 2

Model	Fig	A	C	DC	E	F	G	L	M	N	P	Q	R	V	d	Output Shaft							Input Shaft					Weight
																D	L1	b	h	t	S	L2	D1	L3	b1	h1	t1	
TH 607/07	1	135	80	110	60	120	41	178	88	148	14	14	10	35	9	14	25	5	5	3	-	-	12	25	4	4	2.5	4
TH 608/07		135	80	110	60	120	47	184	88	148	14	14	10	35	9	18	30	6	6	3.5	-	-	12	25	4	4	2.5	4.5
TH 609/08		207	100	150	90	150	60	243	134	184	17	17	12	40	11	28	35	8	7	4	-	-	12	25	4	4	2.5	13
TH 610/08		207	100	150	90	150	60	257	139	184	17	17	12	40	11	28	35	8	7	4	-	-	12	25	4	4	2.5	15
TH 611/08		257	120	204	115	190	82	293	159	234	22	22	15	55	14	38	55	10	8	5	-	-	12	25	4	4	2.5	25
TH 611/09		257	120	204	115	190	82	312	159	234	22	22	15	55	14	38	55	10	8	5	-	-	15	25	5	5	3	30
THH 613/08		300	150	230	145	290	100	347	199	334	27	22	22	65	18	50	70	14	9	5.5	M10	18	12	25	4	4	2.5	42
THH 613/09		300	150	230	145	290	100	363	199	334	27	22	22	65	18	50	70	14	9	5.5	M10	18	15	25	5	5	3	46
THH 613/10		300	150	230	145	290	100	369	199	334	27	22	22	65	18	50	70	14	9	5.5	M10	18	15	25	5	5	3	46
THH 614/08		300	150	230	145	290	120	367	199	334	27	22	22	65	18	50	90	14	9	5.5	M10	18	12	25	4	4	2.5	41
THH 614/09	300	150	230	145	290	120	383	199	334	27	22	22	65	18	50	90	14	9	5.5	M10	18	15	25	5	5	3	46	
THH 614/10	300	150	230	145	290	120	389	199	334	27	22	22	65	18	50	90	14	9	5.5	M10	18	15	25	5	5	3	46	
THH 616/09	349	160	300	150	370	139	433	242	414	46	22	25	75	18	60	90	18	11	7	M10	18	15	25	5	5	3	86	
THH 616/10	349	160	300	150	370	139	439	242	414	46	22	25	75	18	60	90	18	11	7	M10	18	15	25	5	5	3	88	
THH 616/11	349	160	300	150	370	139	462	242	414	46	22	25	75	18	60	90	18	11	7	M10	18	18	35	6	6	3.5	95	
THH 617/09	416	200	340	275	380	125	478	339	434	32	27	30	80	22	70	90	20	12	7.5	M12	24	15	25	5	5	3	120	
THH 617/10	416	200	340	275	380	125	484	339	434	32	27	30	80	22	70	90	20	12	7.5	M12	24	15	25	5	5	3	125	
THH 617/11	416	200	340	275	380	125	509	339	434	32	27	30	80	22	70	90	20	12	7.5	M12	24	18	38	6	6	3.5	130	
THH 618/10	451	220	370	320	420	145	526	384	474	32	27	30	85	22	80	110	22	14	9	M12	24	15	25	5	5	3	166	
THH 618/13	451	220	370	320	420	145	577	384	474	32	27	30	85	22	80	110	22	14	9	M12	24	22	40	6	6	3.5	185	
THH 619/11	531	250	430	380	480	170	629	444	534	32	27	35	90	26	95	135	25	14	9	M20	34	18	35	6	6	3.5	240	
THH 619/13	531	250	430	380	480	170	653	444	534	32	27	35	90	26	95	135	25	14	9	M20	34	22	40	6	6	3.5	250	
THH 620/11	530	250	448	360	440	215	670	444	534	42	47	35	100	26	100	165	28	16	10	M20	34	18	35	6	6	3.5	261	
THH 620/13	530	250	448	360	440	215	705	444	534	42	47	35	100	26	100	165	28	16	10	M20	34	22	40	6	6	3.5	275	
THH 621/13	575	265	485	395	480	210	731	479	584	42	52	40	110	26	110	165	28	16	10	M20	34	22	40	6	6	3.5	355	
THH 621/16	575	265	485	395	480	210	780	479	584	42	52	40	110	26	110	165	28	16	10	M20	34	30	45	8	7	4	375	
THH 622/13	610	280	526	420	540	230	773	524	624	52	42	40	115	26	120	165	32	18	11	M20	34	22	40	6	6	3.5	430	
THH 622/17	610	280	526	420	540	230	860	524	624	52	42	40	115	33	120	165	32	18	11	M20	34	35	55	10	8	5	475	
THH 623/16	667	300	562	460	580	260	883	564	674	52	47	45	120	33	130	200	32	18	11	M24	41	30	45	8	7	4	550	
THH 623/18	667	300	562	460	580	260	938	564	674	52	47	45	120	33	130	200	32	18	11	M24	41	40	65	12	8	5	583	
THH 624/16	729	335	614	480	630	263	921	584	724	52	47	45	128	39	140	200	36	20	12	M24	41	30	45	8	7	4	655	
THH 624/18	729	335	614	480	630	263	975	584	724	52	47	45	128	39	140	200	36	20	12	M24	41	40	65	12	8	5	688	
THH 625/17	815	375	670	520	670	320	1081	634	784	57	57	50	140	39	160	240	40	22	13	M30	49	35	55	10	8	5	1012	
THH 625/19	815	375	670	520	670	320	1133	634	784	57	57	50	140	39	160	240	40	22	13	M30	49	45	70	14	9	5.5	1087	
THH 626/19	874	400	736	590	770	390	1243	704	884	57	57	55	160	45	170	300	40	22	13	M30	49	45	70	14	9	5.5	1343	
THH 627/19	1161	540	950	840	1050	485	1504	1044	1164	102	57	60	200	45	180	330	45	25	15	M30	52	45	70	14	9	5.5	2483	



DIMENSION DRAWING

(Single Stage Reduction)



Model	Fig	L	P	M	N	O*S	Q	R	Output Shaft								Input Shaft					Weight Kg
									D	L1	b	h	t	S	L2	L4	D1	L3	b1	h1	t1	
TV 608	1	151	160	134	110	4*11	9	3	18	30	6	6	3.5	-	-	42	12	25	4	4	2.5	4.5
TV 609		202	160	134	110	4*11	9	3	28	35	8	7	4	-	-	48	15	25	5	5	3	9
TV 610		208	160	134	110	4*11	9	3	28	35	8	7	4	-	-	48	15	25	5	5	3	12
TV 611		259	210	180	140	6*11	13	4	38	55	10	8	5	-	-	69	18	35	6	6	3.5	24
TV 612		259	210	180	140	6*11	13	4	38	55	10	8	5	-	-	69	18	35	6	6	3.5	24
TDV 613	2	321	260	230	200	6*11	15	4	50	61	14	9	5.5	M10	18	76	22	40	6	6	3.5	43
TDV 614		341	260	230	200	6*11	15	4	50	81	14	9	5.5	M10	18	96	22	40	6	6	3.5	43
TDV 615		341	260	230	200	6*11	15	4	50	81	14	9	5.5	M10	18	96	22	40	6	6	3.5	43
TDV 616	3	413	340	310	270	6*11	20	4	60	80	18	11	7	M10	18	89	30	45	8	7	4	80
TDV 617		477	400	360	316	8*14	22	5	70	84	20	12	7.5	M12	24	94	35	55	10	8	5	125
TDV 618		527	430	390	345	8*18	22	5	80	100	22	14	9	M12	24	110	40	65	12	8	5	150
TDV 619		620	490	450	400	12*18	30	6	95	125	25	14	9	M20	34	145	45	70	14	9	5.5	226
TDV 620		678	455	405	355	8*22	30	5	100	165	28	16	10	M20	34	204	45	82	14	9	5.5	245
TDV 621	4	708	490	440	390	8*24	35	7	110	165	28	16	10	M20	34	203	50	82	14	9	5.5	315
TDV 622		752	535	475	415	8*27	35	10	120	165	32	16	11	M20	34	210	55	82	16	10	6	398
TDV 623		839	570	510	450	8*27	40	10	130	200	32	18	11	M24	41	250	60	105	18	11	7	475
TDV 624		877	635	560	485	8*33	40	10	140	200	36	20	12	M24	41	250	65	105	18	11	7	570
TDV 625		1040	685	610	535	8*33	45	10	160	240	40	22	13	M30	49	295	80	130	22	14	9	866
TDV 626		1150	750	660	570	8*39	50	10	170	300	40	22	13	M30	49	360	80	130	22	14	9	1125
TDV 627		1462	1160	1020	900	8*39	60	10	180	320	45	25	15	M30	52	355	90	150	25	14	9	2611

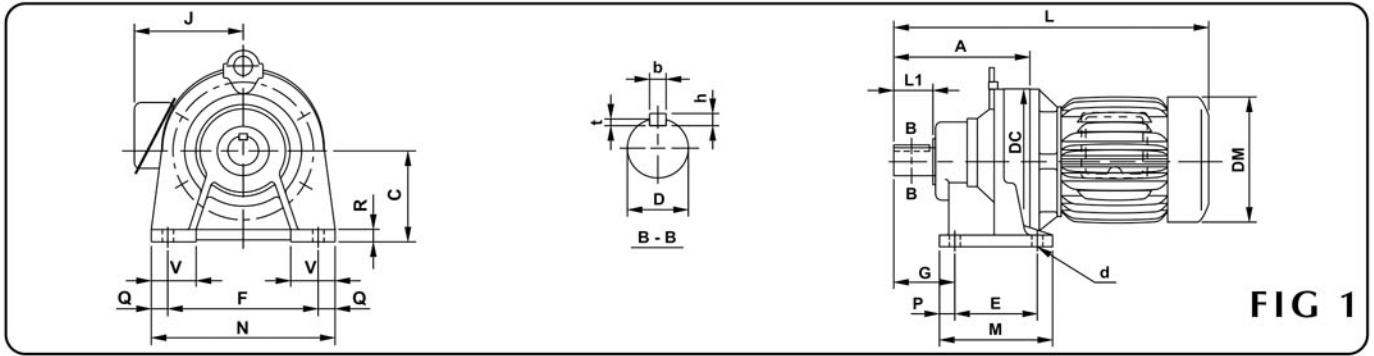


FIG 1

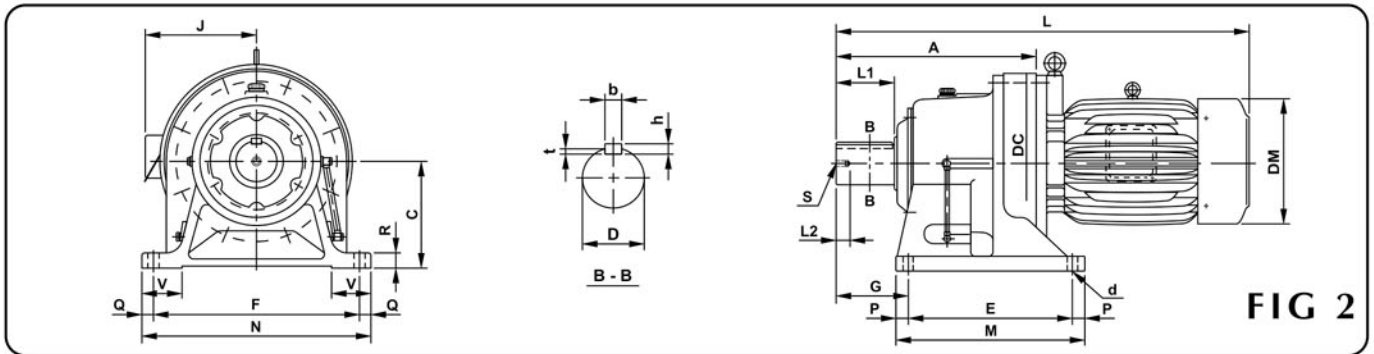


FIG 2

Model	Power	Fig	A	C	DC	DM	E	F	G	J	L	M	N	P	Q	R	V	d	Output Shaft						Weight Kg	
																			D	L1	b	h	t	S		L2
THM02-608	0.2	1	98	80	110	144	60	120	47	121	317	88	148	14	14	10	35	9	18	30	6	6	3.5	-	-	12
THM02-609		1	142	100	150	144	90	150	60	121	361	134	184	17	17	12	40	11	28	35	8	7	4	-	-	19
THM02-610		1	156	100	150	144	90	150	60	121	375	139	184	17	17	12	40	11	28	35	8	7	4	-	-	23
THM05-608	0.4	1	98	80	110	162	60	120	47	132	388	88	148	14	14	10	35	9	18	30	6	6	3.5	-	-	14
THM05-609		1	142	100	150	162	90	150	60	132	382	134	184	17	17	12	40	11	28	35	8	7	4	-	-	23
THM05-610		1	156	100	150	162	90	150	60	132	396	139	184	17	17	12	40	11	28	35	8	7	4	-	-	25
THM05-611	0.75	1	186	120	204	162	115	190	82	132	425	159	234	22	22	15	55	14	38	55	10	8	5	-	-	35
THM 1-609		1	142	100	150	177	90	150	60	137	381	134	184	17	17	12	40	11	28	35	8	7	4	-	-	27
THM 1-610		1	156	100	110	177	90	150	60	137	396	139	184	17	17	12	40	11	28	35	8	7	4	-	-	29
THM 1-611	0.75	1	186	120	204	177	115	190	82	137	434	159	234	22	22	15	55	14	38	55	10	8	5	-	-	40
THHM1-613		2	240	150	230	177	145	290	100	143	484	199	334	27	22	22	65	18	50	70	14	9	5.5	M10	18	59
THHM1-614		2	260	150	230	177	145	290	120	143	504	199	334	27	22	22	65	18	50	90	14	9	5.5	M10	18	60
THHM1-615	1.5	2	260	160	230	177	145	290	120	143	504	199	334	27	22	22	65	18	50	90	14	9	5.5	M10	18	60
THM 2-610		1	156	100	150	200	90	150	60	150	432	139	184	17	17	12	40	11	28	35	8	7	4	-	-	37
THM 2-611		1	186	120	204	200	115	190	82	156	471	159	234	22	22	15	55	14	38	55	10	8	5	-	-	49
THHM2-613	1.5	2	240	150	230	200	145	290	100	150	524	199	334	27	22	22	65	18	50	70	14	9	5.5	M10	18	67
THHM2-614		2	260	150	230	200	145	290	120	150	544	199	334	27	22	22	65	18	50	90	14	9	5.5	M10	18	68
THHM2-615		2	260	160	230	200	145	290	120	150	544	199	334	27	22	22	65	18	50	90	14	9	5.5	M10	18	68
THM 3-610	2.2	1	156	100	150	219	90	150	60	173	467	139	184	17	17	12	40	11	28	35	8	7	4	-	-	47
THM 3-611		1	186	120	204	219	115	190	82	173	497	159	234	22	22	15	55	14	38	55	10	8	5	-	-	58
THHM3-613		2	240	150	230	219	145	290	100	173	551	199	334	27	22	22	65	18	50	70	14	9	5.5	M10	18	79
THHM3-614	2.2	2	260	150	230	219	145	290	120	173	571	199	334	27	22	22	65	18	50	90	14	9	5.5	M10	18	80
THHM3-615		2	260	160	230	219	145	290	120	173	571	199	334	27	22	22	65	18	50	90	14	9	5.5	M10	18	80
THHM3-616		2	308	160	300	219	150	370	139	173	622	242	414	46	22	25	75	18	60	90	18	11	7	M10	18	120
THM 5-611	3.7	1	186	120	204	238	115	190	82	188	513	159	234	22	22	15	55	14	38	55	10	8	5	-	-	67
THHM5-613		2	240	150	230	238	145	290	100	187	570	199	334	27	22	22	65	18	50	70	14	9	5.5	M10	18	88
THHM5-614		2	260	150	230	238	145	290	120	187	590	199	334	27	22	22	65	18	50	90	14	9	5.5	M10	18	89
THHM5-615	3.7	2	260	160	230	238	145	290	120	187	590	199	334	27	22	22	65	18	50	90	14	9	5.5	M10	18	91
THHM5-616		2	308	160	300	238	150	370	139	182	641	242	414	46	22	25	75	18	60	90	18	11	7	M10	18	129
THHM5-617		2	352	200	340	238	275	380	125	182	697	339	434	32	27	30	80	22	70	90	20	12	7.5	M12	24	172
THHM5-618	5.5	2	389	220	370	238	320	420	145	182	756	384	474	32	27	30	85	22	80	110	22	14	9	M12	24	185
THHM8-613		2	240	150	230	273	145	290	100	218	614	199	334	27	22	22	65	18	50	70	14	9	5.5	M10	18	104
THHM8-614		2	260	150	230	273	145	290	120	218	634	199	334	27	22	22	65	18	50	90	14	9	5.5	M10	18	104
THHM8-615	5.5	2	260	160	230	273	145	290	120	218	634	199	334	27	22	22	65	18	50	90	14	9	5.5	M10	18	107
THHM8-616		2	308	160	300	273	150	370	139	219	675	242	414	46	22	25	75	18	60	90	18	11	7	M10	18	145
THHM8-617		2	352	200	340	273	275	380	125	218	731	339	434	32	27	30	80	22	70	90	20	12	7.5	M12	24	189
THHM8-618	7.5	2	389	220	370	273	320	420	145	218	775	384	474	32	27	30	85	22	80	110	22	14	9	M12	24	192
THHM8-619		2	465	250	430	273	380	480	170	224	850	444	534	32	27	35	90	26	95	135	25	14	9	M20	34	301
THHM10-613		7.5	2	240	150	230	273	145	290	100	223	652	199	334	27	22	22	65	18	50	70	14	9	5.5	M10	18
THHM10-614	2		260	150	230	273	145	290	120	223	672	199	334	27	22	22	65	18	50	90	14	9	5.5	M10	18	116



DIMENSION DRAWING

(Single Stage Reduction)

Model	Power	Fig	A	C	DC	DM	E	F	G	J	L	M	N	P	Q	R	V	d	Output Shaft							Weight Kg
																			D	L1	b	h	t	S	L2	
THHM10-615	7.5	2	260	160	230	273	145	290	120	223	672	199	334	27	22	22	65	18	50	90	14	9	5.5	M10	18	119
THHM10-616		2	308	160	300	273	150	370	139	219	713	242	414	46	22	25	75	18	60	90	18	11	7	M10	18	157
THHM10-617		2	352	200	340	273	275	380	125	218	769	339	434	32	27	30	80	22	70	90	20	12	7.5	M12	24	200
THHM10-618		2	389	220	370	273	320	420	145	218	815	384	474	32	27	30	85	22	80	110	22	14	9	M12	24	205
THHM10-619		2	465	250	430	273	380	480	170	224	888	444	534	32	27	35	90	26	95	135	25	14	9	M20	34	313
THHM15-615	11	2	260	160	230	334	145	290	120	256	752	199	334	27	22	22	65	18	50	90	14	9	5.5	M10	18	150
THHM15-616		2	308	160	300	334	150	370	139	256	800	242	414	46	22	25	75	18	60	90	18	11	7	M10	18	189
THHM15-617		2	352	200	340	334	275	380	125	256	844	399	434	32	27	30	80	22	70	90	20	12	7.5	M12	24	220
THHM15-618		2	389	220	370	334	320	420	145	224	883	384	474	32	27	30	85	22	80	110	22	14	9	M12	24	219
THHM15-619		2	465	250	430	334	380	480	170	261	93	444	534	32	27	35	90	26	95	135	25	14	9	M20	34	332
THHM15-620	2	502	250	448	334	360	440	215	261	1001	444	534	42	47	35	100	26	100	165	28	16	10	M20	34	313	
THHM15-621	2	526	265	485	334	395	480	210	261	1025	479	584	42	52	40	110	26	110	165	28	16	10	M20	34	396	
THHM20-616	15	2	308	160	300	334	150	370	139	256	844	242	414	46	22	25	75	18	60	90	18	11	7	M10	18	208
THHM20-617		2	352	200	340	334	275	380	125	256	888	339	434	32	27	30	80	22	70	90	20	12	7.5	M12	24	303
THHM20-618		2	389	220	370	334	320	420	145	256	927	384	474	32	27	30	85	22	80	110	22	14	9	M12	24	279
THHM20-619		2	465	250	430	334	380	480	170	261	1007	444	534	32	27	35	90	26	95	135	25	14	9	M20	34	344
THHM20-620		2	502	250	448	334	360	440	215	261	1045	444	534	42	47	35	100	26	100	165	28	16	10	M20	34	367
THHM20-621	2	526	265	485	334	395	480	210	261	1069	479	584	42	52	40	110	26	110	165	28	16	10	M20	34	451	
THHM20/6-623	2	628	300	562	382	460	580	260	305	1200	564	674	52	47	45	120	33	130	200	32	18	11	M24	41	697	
THHM20/6-624	2	657	335	614	382	480	630	263	305	1225	584	724	52	47	45	128	39	140	200	36	20	12	M24	41	818	
THHM20/6-625	2	775	375	670	382	520	670	320	305	1352	634	784	57	57	50	140	39	160	240	40	22	13	M30	49	1132	
THHM25-617	18.5	2	352	200	340	382	275	380	125	305	911	339	434	32	27	30	80	22	70	90	20	12	7.5	M12	24	303
THHM25-618		2	389	220	370	382	320	420	145	305	950	384	474	32	27	30	85	22	80	110	22	14	9	M12	24	343
THHM25-619		2	465	250	430	382	380	480	170	305	1026	444	534	32	27	35	90	26	95	135	25	14	9	M20	34	416
THHM25-620		2	502	250	448	382	360	440	215	305	1064	444	534	42	47	35	100	26	100	165	28	16	10	M20	34	437
THHM25-621		2	526	265	485	382	395	480	210	305	1088	479	584	42	52	40	110	26	110	165	28	16	10	M20	34	514
THHM25-622	2	566	280	526	382	420	540	230	305	1128	524	624	52	42	40	115	33	120	165	32	18	11	M20	34	599	
THHM25/6-623	2	628	300	562	420	460	580	260	305	1238	564	674	52	47	45	120	33	130	200	32	18	11	M24	41	697	
THHM25/6-624	2	657	335	614	420	480	630	263	305	1263	584	724	52	47	45	128	39	140	200	36	20	12	M24	41	818	
THHM25/6-625	2	775	375	670	420	520	670	320	305	1390	634	784	57	57	50	140	39	160	240	40	22	13	M30	49	1149	
THHM30-617	22	2	352	200	340	382	275	380	125	305	911	339	434	32	27	30	80	22	70	90	20	12	7.5	M12	24	303
THHM30-618		2	389	220	370	382	320	420	145	305	950	384	474	32	27	35	85	22	80	110	22	14	9	M12	24	343
THHM30-619		2	465	250	430	382	380	480	170	305	1026	444	534	32	27	35	90	26	95	135	25	14	9	M20	34	416
THHM30-620		2	502	250	448	382	360	440	215	305	1064	444	534	42	47	40	100	26	100	165	28	16	10	M20	34	437
THHM30-621		2	526	265	485	382	395	480	210	305	1088	479	584	42	52	40	110	26	110	165	28	16	10	M20	34	514
THHM30-622	2	566	280	526	382	420	540	230	305	1128	524	624	52	42	45	115	33	120	165	32	18	11	M20	34	599	
THHM30/6-623	2	628	300	562	420	460	580	260	305	1238	564	674	52	47	45	120	33	130	200	32	18	11	M24	41	697	
THHM30/6-624	2	657	335	614	420	480	630	263	305	1263	584	724	52	47	45	128	39	140	200	36	20	12	M24	41	818	
THHM30/6-625	2	775	375	670	420	520	670	320	305	1390	634	784	57	57	50	140	39	160	240	40	22	13	M30	49	1149	
THHM40-618	30	2	389	220	370	382	320	420	145	305	988	384	474	32	27	35	85	22	80	110	22	14	9	M12	24	343
THHM40-619		2	465	250	430	382	380	480	170	305	1026	444	534	32	27	35	90	26	95	135	25	14	9	M20	34	431
THHM40-620		2	502	250	448	382	360	440	215	305	1102	444	534	42	47	35	100	26	100	165	28	16	10	M20	34	450
THHM40-621		2	526	265	485	382	395	480	210	305	1126	479	584	42	52	40	110	26	110	165	28	16	10	M20	34	527
THHM40-622		2	566	280	526	382	420	540	230	305	1166	524	624	52	42	40	115	33	120	165	32	18	11	M20	34	612
THHM40/6-623	2	628	300	562	458	460	580	260	339	1400	564	674	52	47	45	120	33	130	200	32	18	11	M24	41	743	
THHM40/6-624	2	657	335	614	458	480	630	263	339	1345	584	724	52	47	45	128	39	140	200	36	20	12	M24	41	864	
THHM40/6-625	2	775	375	670	458	520	670	320	339	1453	634	784	57	57	50	140	39	160	240	40	22	13	M30	49	1193	
THHM40/6-626	2	892	400	736	458	590	770	390	339	1570	704	884	57	57	55	160	45	170	300	40	22	13	M30	49	1439	
THHM50-619	37	2	465	250	430	420	380	480	170	339	1127	444	534	32	27	35	90	26	95	135	25	14	9	M20	34	468
THHM50-620		2	502	250	448	420	360	440	215	339	1165	444	534	42	47	40	100	26	100	165	28	16	10	M20	34	487
THHM50-621		2	526	265	485	420	395	480	210	339	1189	479	584	42	52	40	110	26	110	165	28	16	10	M20	34	559
THHM50-622		2	566	280	526	420	420	540	230	339	1229	524	624	52	42	45	115	33	120	165	32	18	11	M20	34	650
THHM50/6-623		2	628	300	562	510	460	580	260	339	1430	564	674	52	47	45	120	33	130	200	32	18	11	M24	41	743
THHM50/6-624	2	657	335	614	510	480	630	263	339	1345	584	724	52	47	45	128	39	140	200	36	20	12	M24	41	864	
THHM50/6-625	2	775	375	670	510	520	670	320	339	1453	634	784	57	57	50	140	39	160	240	40	22	13	M30	49	1193	
THHM50/6-626	2	892	400	736	510	590	770	390	339	1570	704	884	57	57	55	160	45	170	300	40	22	13	M30	49	1439	
THHM60-620	45	2	502	250	448	458	360	440	215	339	1165	444	534	42	47	40	100	26	100	165	28	16	10	M20	34	487

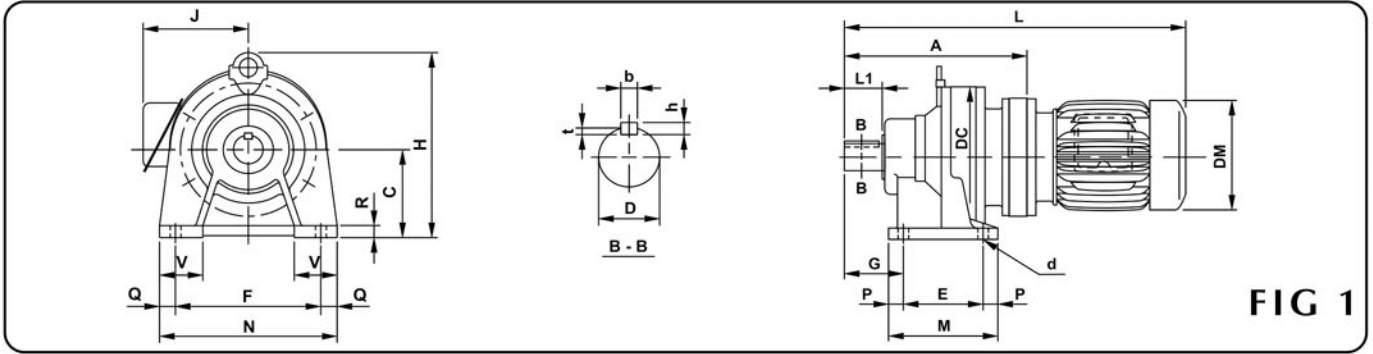


FIG 1

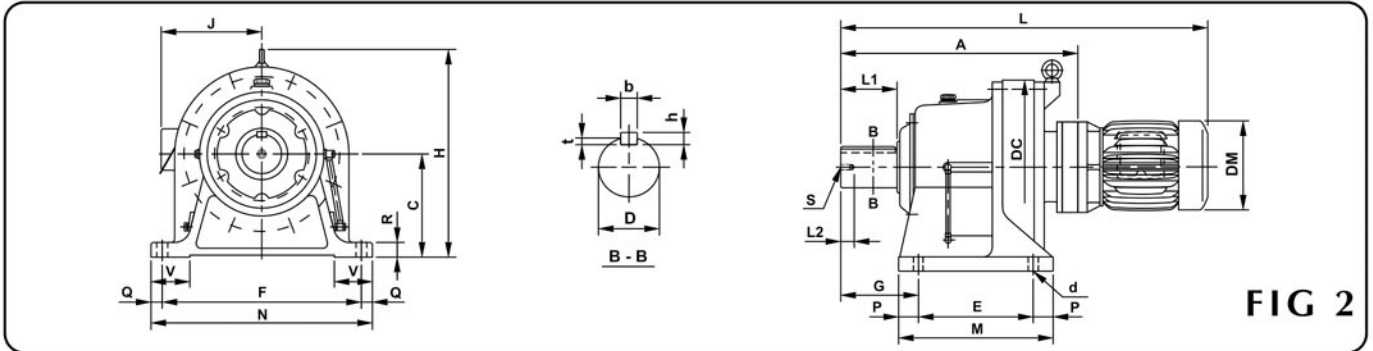


FIG 2

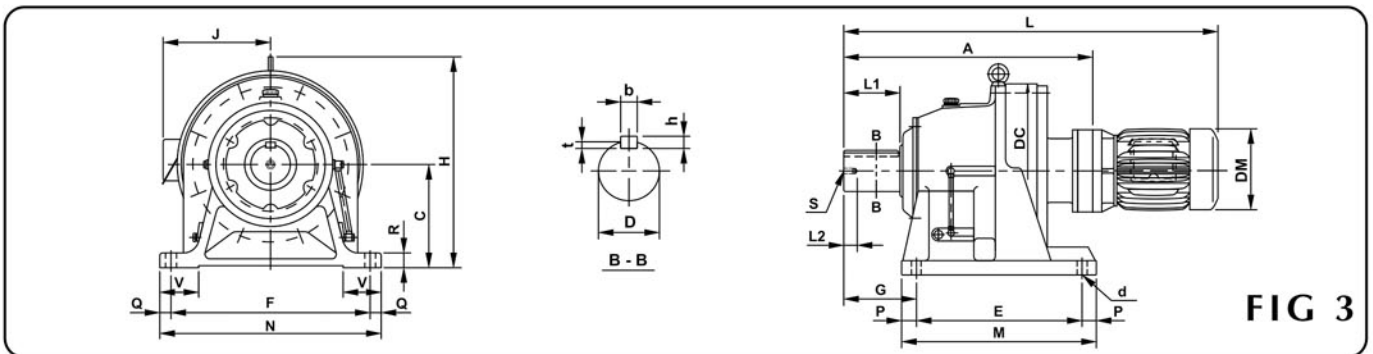


FIG 3

Model	Power	Fig	A	C	DC	DM	E	F	G	H	J	L	M	N	P	Q	R	V	d	Output Shaft								Weight Kg
																				D	L1	b	h	t	S	L2		
THM02-610/08	0.2	1	204	100	150	144	105	150	60	207	121	423	139	184	17	17	12	40	11	28	35	8	7	4	-	-	24	
THM02-611/08		1	240	120	204	144	115	190	82	257	121	459	159	234	22	22	15	55	14	38	55	10	8	5	-	-	34	
THM02-611/09		1	252	120	204	144	115	190	82	257	121	471	159	234	22	22	15	55	14	38	55	10	8	5	-	-	40	
THHM02-613/08		2	294	150	230	144	145	290	100	300	121	513	199	334	27	22	22	65	18	50	70	14	9	5.5	M10	18	49	
THHM02-613/09		2	303	150	230	144	145	290	100	300	121	522	199	334	27	22	22	65	18	50	70	14	9	5.5	M10	18	53	
THHM02-614/08		2	314	150	230	144	145	290	120	300	121	533	199	334	27	22	22	65	18	50	90	14	9	5.5	M10	18	50	
THHM02-614/09		2	323	150	230	144	145	290	120	300	121	542	199	334	27	22	22	65	18	50	90	14	9	5.5	M10	18	53	
THHM02-616/09		2	373	160	300	144	150	370	139	349	121	592	242	414	46	22	25	75	18	60	90	18	11	7	M10	18	94	
THHM02-617/09		2	418	200	340	144	275	380	125	416	121	637	339	434	32	27	30	80	22	70	90	20	12	7.5	M12	24	130	
THM05-610/08		0.4	1	204	100	150	162	105	150	60	207	132	444	139	184	17	17	12	40	11	28	35	8	7	4	-	-	27
THM05-611/08	1		24	120	204	167	115	190	82	257	132	480	159	234	22	22	15	55	14	38	55	10	8	5	-	-	38	
THM05-611/09	1		252	120	204	162	115	190	82	257	132	492	159	234	22	22	15	55	14	38	55	10	8	5	-	-	43	
THHM05-613/08	2		294	150	230	162	145	290	100	300	132	534	199	334	27	22	22	65	18	50	70	14	9	5.5	M10	18	54	
THHM05-613/09	2		303	150	230	162	145	290	100	300	132	534	199	334	27	22	22	65	18	50	70	14	9	5.5	M10	18	57	
THHM05-613/10	2		317	150	230	162	145	290	100	300	132	557	199	334	27	22	22	65	18	50	70	14	9	5.5	M10	18	59	
THHM05-614/08	2		314	150	230	162	145	290	120	300	132	554	199	334	27	22	22	65	18	50	90	14	9	5.5	M10	18	54	
THHM05-614/09	2		323	150	230	162	145	290	120	300	132	563	199	334	27	22	22	65	18	50	90	14	9	5.5	M10	18	57	
THHM05-614/10	2		337	150	230	162	145	290	120	300	132	577	199	334	27	22	22	65	18	50	90	14	9	5.5	M10	18	59	
THHM05-616/09	2		373	160	300	162	150	370	139	349	132	613	242	414	46	22	25	75	18	60	90	18	11	7	M10	18	98	
THHM05-616/10	2		387	160	300	162	150	370	139	349	132	627	242	414	46	22	25	75	18	60	90	18	11	7	M10	18	99	
THHM05-616/11	2		389	160	300	162	150	370	139	349	132	628	242	414	46	22	25	75	18	60	90	18	11	7	M10	18	99	
THHM05-617/09	2		418	200	340	162	275	380	125	416	132	658	339	434	32	27	30	80	22	70	90	20	12	7.5	M12	24	132	
THHM05-617/10	2		432	200	340	162	275	380	125	416	132	672	339	434	32	27	30	80	22	70	90	20	12	7.5	M12	24	134	
THHM05-617/11	2		436	200	340	162	275	380	125	416	132	675	339	434	32	27	30	80	22	70	90	20	12	7.5	M12	24	135	
THHM05-618/10	2		474	220	370	162	320	420	145	451	132	714	384	474	32	27	30	85	22	80	110	22	14	9	M12	24	176	
THHM05-619/11	2		556	250	430	162	380	480	170	531	132	795	444	534	32	27	35	90	26	95	135	25	14	9	M12	34	245	
THHM05-620/11	3		597	250	448	162	360	440	215	530	132	836	444	534	42	47	35	100	26	100	165	28	16	10	M12	34	269	
THM1-611/09	0.75	1	252	120	204	177	115	190	82	257	137	491	159	234	22	22	15	55	14	38	55	10	8	5	-	-	45	



DIMENSION DRAWING (Double Stage Reduction)

Model	Power	Fig	A	C	DC	DM	E	F	G	H	J	L	M	N	P	Q	R	V	d	Output Shaft								Weight Kg
																				D	L1	b	h	t	S	L2		
THHM1-613/09	0.75	2	303	150	230	177	145	290	100	300	137	542	199	334	27	22	22	65	18	50	70	14	9	5.5	M10	18	60	
THHM1-613/10		2	317	150	230	177	145	290	100	300	137	556	199	334	27	22	22	65	18	50	70	14	9	5.5	M10	18	61	
THHM1-614/09		2	323	150	230	177	145	290	120	300	137	562	199	334	27	22	22	65	18	50	90	14	9	5.5	M10	18	60	
THHM1-614/10		2	337	150	230	177	145	290	120	300	137	576	199	334	27	22	22	65	18	50	90	14	9	5.5	M10	18	61	
THHM1-616/09		2	373	160	300	177	150	370	139	349	137	612	242	414	46	22	25	75	18	60	90	18	11	7	M10	18	100	
THHM1-616/10		2	387	160	300	177	150	370	139	349	137	626	242	414	46	22	25	75	18	60	90	18	11	7	M10	18	102	
THHM1-616/11		2	389	160	300	177	150	370	139	349	137	637	242	414	46	22	25	75	18	60	90	18	11	7	M10	18	104	
THHM1-617/09		2	418	200	340	177	275	380	125	416	137	657	339	434	32	27	30	80	22	70	90	20	12	7.5	M12	24	136	
THHM1-617/10		2	432	200	340	177	275	380	125	416	137	671	339	434	32	27	30	80	22	70	90	20	12	7.5	M12	24	138	
THHM1-617/11		2	436	200	340	177	275	380	125	416	137	684	339	434	32	27	30	80	22	70	90	20	12	7.5	M12	24	141	
THHM1-618/10		2	474	220	370	177	320	420	145	451	137	713	384	474	32	27	30	85	22	80	110	22	14	9	M12	24	180	
THHM1-618/13		2	496	220	370	177	320	420	145	451	137	740	384	474	32	27	30	85	22	80	110	22	14	9	M12	24	195	
THHM1-619/11		2	556	250	430	177	380	480	170	531	137	804	444	534	32	27	35	90	26	95	135	25	14	9	M12	34	256	
THHM1-619/13		2	572	250	430	177	380	480	170	531	137	816	444	534	32	27	35	90	26	95	135	25	14	9	M12	34	263	
THHM1-620/11		3	597	250	448	177	360	440	215	530	137	845	444	534	42	47	35	100	26	100	165	28	16	10	M20	34	277	
THHM1-620/13		3	624	250	448	177	360	440	215	530	137	868	444	534	42	47	35	100	26	100	165	28	16	10	M20	34	288	
THHM1-621/13		3	650	265	485	177	395	480	210	575	143	894	479	584	42	52	40	110	26	110	165	28	16	10	M20	34	365	
THHM1-622/13		3	692	280	526	177	420	540	230	610	143	936	524	624	52	42	40	115	33	120	165	32	18	11	M20	34	440	
THHM2-613/10		1.5	2	317	150	230	200	145	290	100	300	150	593	199	334	27	22	22	65	18	50	70	14	9	5.5	M10	18	70
THHM2-614/10			2	337	150	230	200	145	290	120	300	150	613	199	334	27	22	22	65	18	50	90	14	9	5.5	M10	18	70
THHM2-616/10			2	387	160	300	200	150	370	139	349	150	663	242	414	46	22	25	75	18	60	90	18	11	7	M10	18	111
THHM2-616/11			2	389	160	300	200	150	370	139	349	156	674	242	414	46	22	25	75	18	60	90	18	11	7	M10	18	115
THHM2-617/10			2	432	200	340	200	275	380	125	416	150	708	339	434	32	27	30	80	22	70	90	20	12	7.5	M12	24	147
THHM2-617/11			2	436	200	340	200	275	380	125	416	150	721	339	434	32	27	30	80	22	70	90	20	12	7.5	M12	24	152
THHM2-618/10	2		474	220	370	200	320	420	145	451	150	750	384	474	32	27	30	85	22	80	110	22	14	9	M12	24	189	
THHM2-618/13	2		496	220	370	200	320	420	145	451	150	780	384	474	32	27	30	85	22	80	110	22	14	9	M12	24	207	
THHM2-619/11	2		556	250	430	200	380	480	170	531	156	841	444	534	32	27	35	90	26	95	135	25	14	9	M20	34	265	
THHM2-619/13	2		572	250	430	200	380	480	170	531	150	856	444	534	32	27	35	90	26	95	135	25	14	9	M20	34	275	
THHM2-620/11	3		597	250	448	200	360	440	215	530	156	882	444	534	42	47	35	100	26	100	165	28	16	10	M20	34	284	
THHM2-620/13	3		624	250	448	200	360	440	215	530	150	908	444	534	42	47	35	100	26	100	165	28	16	10	M20	34	299	
THHM2-621/13	3		650	265	485	200	395	480	210	575	150	934	479	584	42	52	40	110	26	110	165	28	16	10	M20	34	378	
THHM2-622/13	3		692	280	526	200	420	540	230	610	150	976	524	624	52	42	40	115	33	120	165	32	18	11	M20	34	453	
THHM3-613/10	2.2		2	317	150	230	219	145	290	100	300	173	619	199	334	27	22	22	65	18	50	70	14	9	5.5	M10	18	82
THHM3-614/10			2	337	150	230	219	145	290	120	300	173	640	199	334	27	22	22	65	18	50	90	14	9	5.5	M10	18	82
THHM3-616/10			2	387	160	300	219	150	370	139	349	173	690	242	414	46	22	25	75	18	60	90	18	11	7	M10	18	123
THHM3-616/11			2	389	160	300	219	150	370	139	349	173	700	242	414	46	22	25	75	18	60	90	18	11	7	M10	18	130
THHM3-617/10			2	432	200	340	219	275	380	125	416	173	735	339	434	32	27	30	80	22	70	90	20	12	7.5	M12	24	159
THHM3-617/11			2	436	200	340	219	275	380	125	416	173	747	339	434	32	27	30	80	22	70	90	20	12	7.5	M12	24	164
THHM3-618/10			2	474	220	370	219	320	420	145	451	173	799	384	474	32	27	30	85	22	80	110	22	14	9	M12	24	201
THHM3-618/13			2	496	220	370	219	320	420	145	451	143	807	384	474	32	27	30	85	22	80	110	22	14	9	M12	24	219
THHM3-619/11			2	556	250	430	219	380	480	170	531	173	867	444	534	32	27	35	90	26	95	135	25	14	9	M20	34	277
THHM3-619/13			2	572	250	430	219	380	480	170	531	173	883	444	534	32	27	35	90	26	95	135	25	14	9	M20	34	286
THHM3-620/11		3	597	250	448	219	360	440	215	530	173	908	444	534	42	47	35	100	26	100	165	28	16	10	M20	34	290	
THHM3-620/13		3	624	250	448	219	360	440	215	530	173	935	444	534	42	47	35	100	26	100	165	28	16	10	M20	34	309	
THHM3-621/13		3	650	265	485	219	395	480	210	575	173	961	479	584	42	52	40	110	26	110	165	28	16	10	M20	34	390	
THHM3-621/16		3	675	265	485	219	395	480	210	575	173	989	479	584	42	52	40	110	26	110	165	28	16	10	M20	34	387	
THHM3-622/13		3	692	280	526	219	420	540	230	610	173	1003	524	624	52	42	40	115	33	120	165	32	18	11	M20	34	465	
THHM3-623/16		3	778	300	562	219	460	580	260	667	173	1092	564	674	52	47	45	120	33	130	200	32	18	11	M24	41	564	
THHM3-624/16		3	816	335	614	219	480	630	263	729	173	1130	584	724	52	47	45	128	39	140	200	36	20	12	M24	41	675	
THHM5-616/11		3.7	2	389	160	300	238	150	370	139	349	188	716	242	414	46	22	25	75	18	60	90	18	11	7	M10	18	139
THHM5-617/11			2	436	200	340	238	275	380	125	416	188	763	339	434	32	27	30	80	22	70	90	20	12	7.5	M12	24	173
THHM5-618/13			2	496	220	370	238	320	420	145	451	187	826	384	474	32	27	30	85	22	80	110	22	14	9	M12	24	224
THHM5-619/11			2	556	250	430	238	380	480	170	531	188	883	444	534	32	27	35	90	26	95	135	25	14	9	M20	34	286
THHM5-619/13			2	572	250	430	238	380	480	170	531	187	902	444	534	32	27	35	90	26	95	135	25	14	9	M20	34	295
THHM5-620/11			3	597	250	448	238	360	440	215	530	188	924	444	534	42	47	35	100	26	100	165	28	16	10	M20	34	296
THHM5-620/13			3	624	250	448	2																					



Model	Power	Fig	A	C	DC	DM	E	F	G	H	J	L	M	N	P	Q	R	V	d	Output Shaft								Weight Kg			
																				D	L1	b	h	t	S	L2					
7.5	7.5	2	572	250	430	273	380	480	170	531	223	984	444	534	32	27	35	90	26	95	135	25	14	9	M20	34	313				
		3	624	250	448	273	360	440	215	530	223	1036	444	534	42	47	35	100	26	100	165	28	16	10	M20	34	328				
		3	650	265	485	273	395	480	210	575	223	1062	479	584	42	52	40	110	26	110	165	28	16	10	M20	34	409				
		3	675	265	485	273	395	480	210	575	219	1080	479	584	42	52	40	110	26	110	165	28	16	10	M20	34	409				
		3	692	280	526	273	420	540	230	610	223	1104	524	624	52	42	40	115	33	120	165	32	18	11	M20	34	482				
		3	735	280	526	273	420	540	230	610	218	1152	524	624	52	42	40	115	33	120	165	32	18	11	M20	34	482				
		3	778	300	562	273	460	580	260	667	219	1183	564	674	52	47	45	120	33	130	200	32	18	11	M24	41	607				
		3	800	300	562	275	460	580	260	667	224	1226	564	674	52	47	45	120	33	130	200	32	18	11	M24	41	610				
		3	816	335	614	273	480	630	263	729	219	1221	584	724	52	47	45	128	39	140	200	36	20	12	M24	41	718				
		3	837	335	614	273	480	630	263	729	224	1263	584	724	52	47	45	128	39	140	200	36	20	12	M24	41	705				
		3	956	375	670	273	520	670	320	815	218	1373	634	784	57	57	50	140	39	160	240	40	22	13	M30	49	1083				
		3	978	375	670	273	520	670	320	815	224	1401	634	784	57	57	50	140	39	160	240	40	22	13	M30	49	1081				
		3	1088	400	736	273	590	770	390	874	224	1511	704	884	57	57	55	160	45	170	300	40	22	13	M30	49	1263				
		3	1349	540	950	273	840	1050	485	1161	224	1772	1044	1164	102	57	60	200	45	180	330	45	25	15	M30	52	2533				
		11	11	3	675	265	485	334	395	480	210	575	256	1167	479	584	42	52	40	110	26	110	165	28	16	10	M20	34	434		
3	735			280	526	334	420	540	230	610	256	1227	524	624	52	42	40	115	33	120	165	32	18	11	M20	34	533				
3	778			300	562	334	460	580	260	667	256	1270	564	674	52	47	45	120	33	130	200	32	18	11	M24	41	641				
3	800			300	562	334	460	580	260	667	256	1294	564	674	52	47	45	120	33	130	200	32	18	11	M24	41	694				
3	816			335	614	334	480	630	263	729	256	1308	584	724	52	47	45	128	39	140	200	36	20	12	M24	41	750				
3	837			335	614	334	480	630	263	729	256	1331	584	724	52	47	45	128	39	140	200	36	20	12	M24	41	738				
3	956			375	670	334	520	670	320	815	256	1448	634	784	57	57	50	140	39	160	240	40	22	13	M30	49	1104				
3	978			375	670	334	520	670	320	815	261	1476	634	784	57	57	50	140	39	160	240	40	22	13	M30	49	1140				
3	1088			400	736	334	590	770	390	874	261	1586	704	884	57	57	55	160	45	170	300	40	22	13	M30	49	1394				
3	1349			540	950	334	840	1050	485	1161	261	1847	1044	1164	102	57	60	200	45	180	330	45	25	15	M30	52	2529				
3	735			280	526	334	420	540	230	610	256	1271	524	624	52	42	40	115	33	120	165	32	18	11	M20	34	587				
15	15			3	778	300	562	334	460	580	260	667	256	1314	564	674	52	47	45	120	33	130	200	32	18	11	M24	41	660		
				3	800	300	562	334	460	580	260	667	256	1338	564	674	52	47	45	120	33	130	200	32	18	11	M24	41	699		
				3	816	335	614	334	480	630	263	729	256	1352	584	724	52	47	45	128	39	140	200	36	20	12	M24	41	769		
				3	837	335	614	334	480	630	263	729	256	1375	584	724	52	47	45	128	39	140	200	36	20	12	M24	41	798		
		3	956	375	670	334	520	670	320	815	256	1492	634	784	57	57	50	140	39	160	240	40	22	13	M30	49	1121				
		3	978	375	670	334	520	670	320	815	261	1520	634	784	57	57	50	140	39	160	240	40	22	13	M30	49	1190				
		3	1088	400	736	334	590	770	390	874	261	1630	704	884	57	57	55	160	45	170	300	40	22	13	M30	49	1444				
		3	1349	540	950	334	840	1050	485	1161	261	1891	1044	1164	102	57	60	200	45	180	330	45	25	15	M30	52	2579				
		18.5	18.5	3	800	300	562	382	460	580	260	667	305	1361	564	674	52	47	45	120	33	130	200	32	18	11	M24	41	761		
				3	837	335	614	382	480	630	263	729	305	1398	584	724	52	47	45	128	39	140	200	36	20	12	M24	41	862		
				3	956	375	670	382	520	670	320	815	305	1517	634	784	57	57	50	140	39	160	240	40	22	13	M30	49	1190		
				3	978	375	670	382	520	670	320	815	305	1539	634	784	57	57	50	140	39	160	240	40	22	13	M30	49	1264		
				3	1088	400	736	382	590	770	390	874	305	1649	704	884	57	57	55	160	45	170	300	40	22	13	M30	49	1519		
				3	1349	540	950	382	840	1050	485	1161	305	1910	1044	1164	102	57	60	200	45	180	330	45	25	15	M30	52	2654		
				22	22	3	800	300	562	382	460	580	260	667	305	1361	564	674	52	47	45	120	33	130	200	32	18	11	M24	41	761
3	837					335	614	382	480	630	263	729	305	1398	584	724	52	47	45	128	39	140	200	36	20	12	M24	41	862		
3	956					375	670	382	520	670	320	815	305	1517	634	784	57	57	50	140	39	160	240	40	22	13	M30	49	1190		
3	978					375	670	382	520	670	320	815	305	1539	634	784	57	57	50	140	39	160	240	40	22	13	M30	49	1264		
3	1088					400	736	382	590	770	390	874	305	1649	704	884	57	57	55	160	45	170	300	40	22	13	M30	49	1519		
3	1349					540	950	382	840	1050	485	1161	305	1910	1044	1164	102	57	60	200	45	180	330	45	25	15	M30	52	2654		
30	30					3	978	375	670	382	520	670	320	815	305	1577	634	784	57	57	50	140	39	160	240	40	22	13	M30	49	1280
						3	1088	400	736	382	590	770	390	874	305	1687	704	884	57	57	55	160	45	170	300	40	22	13	M30	49	1535
						3	1349	540	950	382	840	1050	485	1161	305	1948	1044	1164	102	57	60	200	45	180	330	45	25	15	M30	52	2670
		37	37			3	1088	400	736	420	590	770	390	874	339	1750	704	884	57	57	55	160	45	170	300	40	22	13	M30	49	1569
						3	1349	540	950	420	840	1050	485	1161	339	2011	1044	1164	102	57	60	200	45	180	330	45	25	15	M30	52	2703

DIMENSION DRAWING

(Single Stage Reduction)

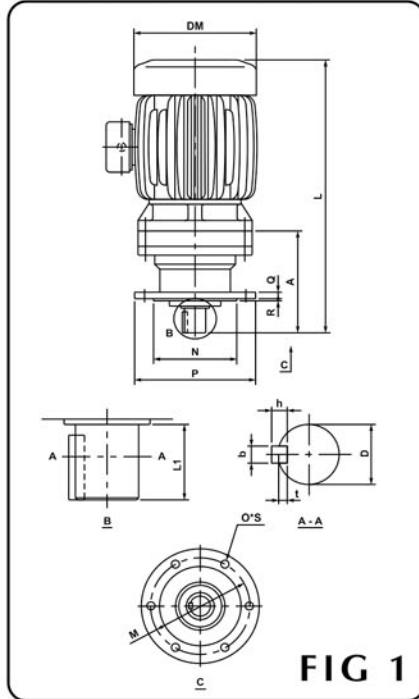


FIG 1

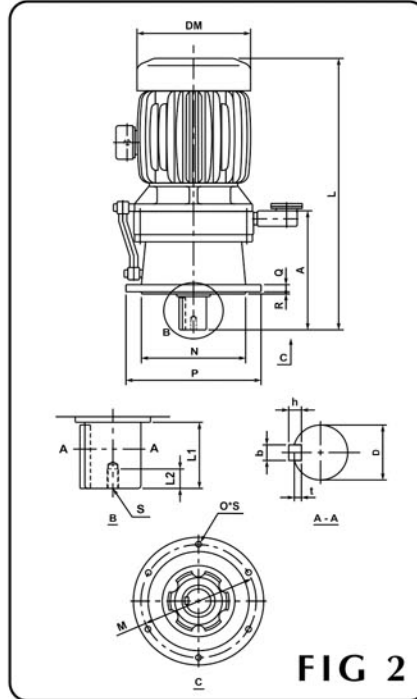


FIG 2

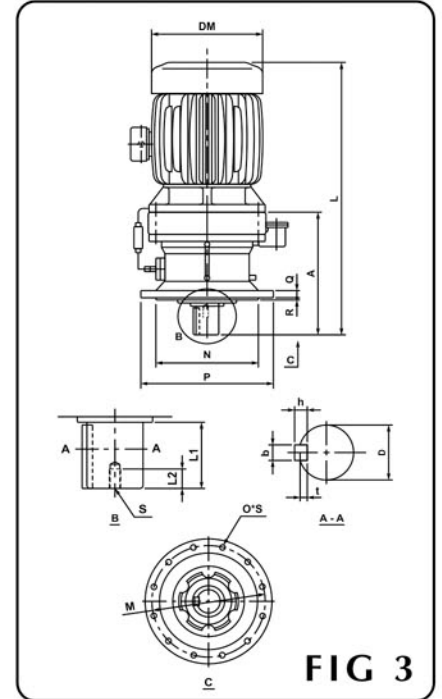


FIG 3

Model	Power	Fig	A	DM	L	M	N	O*S	P	Q	R	Output Shaft							Weight Kg
												D	L1	b	h	t	S	L2	
TVM02-608	0.2	1	98	144	317	134	110	4*11	160	9	3	18	30	6	6	3.5	-	-	14
TVM02-609		1	142	144	361	134	110	4*11	160	9	3	28	35	8	7	4	-	-	18
TVM02-610		1	156	144	375	134	110	4*11	160	9	3	28	35	8	7	4	-	-	20
TVM05-608	0.4	1	98	162	388	134	110	4*11	160	9	3	18	30	6	6	3.5	-	-	16
TVM05-609		1	142	162	382	134	110	4*11	160	9	3	28	35	8	7	4	-	-	20
TVM05-610		1	156	162	396	134	110	4*11	160	9	3	28	35	8	7	4	-	-	22
TVM05-611	0.75	1	186	162	425	180	140	6*11	210	13	4	38	55	10	8	5	-	-	35
TVM1-609		1	142	177	381	134	110	4*11	160	9	3	28	35	8	7	4	-	-	24
TVM1-610		1	156	177	395	134	110	4*11	160	9	3	28	35	8	7	4	-	-	26
TVM1-611		1	186	177	434	180	140	6*11	210	13	4	38	55	10	8	5	-	-	38
TVM1-612		1	186	177	434	180	140	6*11	210	13	4	38	55	10	8	5	-	-	38
TDVM1-613		2	240	177	484	230	200	6*11	260	15	4	50	61	14	9	5.5	-	18	57
TDVM1-614		2	260	177	504	230	200	6*11	260	15	4	50	81	14	9	5.5	-	18	58
TDVM1-615	2	260	177	504	230	200	6*11	260	15	4	50	81	14	9	5.5	M10	18	58	
TVM2-610	1.5	1	156	200	432	134	110	4*11	160	9	3	28	35	8	7	4	-	-	35
TVM2-611		1	186	200	471	180	140	6*11	210	13	4	38	55	10	8	5	-	-	47
TVM2-612		1	-	-	-	-	-	-	-	-	-	-	-	-	-	-	-	-	-
TDVM2-613		2	240	200	524	230	200	6*11	260	15	4	50	61	14	9	5.5	-	18	66
TDVM2-614		2	260	200	544	230	200	6*11	260	15	4	50	81	14	9	5.5	-	18	67
TDVM2-615		2	260	200	544	230	200	6*11	260	15	4	50	81	14	9	5.5	M10	18	67
TDVM2-616		3	308	200	593	310	270	6*11	340	20	4	60	80	18	11	7	M10	18	103
TVM3-610	2.2	1	156	219	467	134	110	4*11	160	9	3	28	35	8	7	4	-	-	45
TVM3-611		1	186	219	497	180	140	6*11	210	13	4	38	55	10	8	5	-	-	56
TVM3-612		1	186	219	497	180	140	6*11	210	13	4	38	55	10	8	5	-	-	56
TDVM3-613		2	240	219	551	230	200	6*11	260	15	4	50	61	14	9	5.5	-	18	78
TDVM3-614		2	260	219	571	230	200	6*11	260	15	4	50	61	14	9	5.5	-	18	79
TDVM3-615		2	260	219	571	230	200	6*11	260	15	4	50	81	14	9	5.5	M10	18	79
TDVM3-616		3	308	219	622	310	270	6*11	340	20	4	60	80	18	11	7	M10	18	115
TVM5-611	3.7	1	186	238	513	180	140	6*11	210	13	4	38	55	10	8	5	-	-	67
TVM5-612		1	186	238	513	180	140	6*11	210	13	4	38	55	10	8	5	-	-	67
TDVM5-613		2	240	238	570	230	200	6*11	260	15	4	50	61	14	9	5.5	-	18	89
TDVM5-614		2	260	238	590	230	200	6*11	260	15	4	50	61	14	9	5.5	-	18	90
TDVM5-615		2	260	238	590	230	200	6*11	260	15	4	50	81	14	9	5.5	M10	18	90
TDVM5-616		3	308	238	641	310	270	6*11	340	20	4	60	80	18	11	7	M10	18	125
TDVM5-617		3	352	238	697	360	316	8*14	400	22	5	70	84	20	12	7.5	M10	18	170
TDVM5-618	3	389	238	756	390	345	8*18	430	22	5	80	100	22	14	9	M12	24	195	
TVM8-612	5.5	1	186	273	557	180	140	6*11	210	13	4	38	55	10	8	5	-	-	86
TDVM8-613		2	240	273	614	230	200	6*11	260	15	4	50	61	14	9	5.5	-	18	113
TDVM8-614		2	260	273	634	230	200	6*11	260	15	4	50	61	14	9	5.5	-	18	104
TDVM8-615		2	260	273	634	230	200	6*11	260	15	4	50	81	14	9	5.5	M10	18	104
TDVM8-616		3	308	273	675	310	270	6*11	340	20	4	60	80	18	11	7	M10	18	140
TDVM8-617		3	352	273	731	360	316	8*14	400	22	5	70	84	20	12	7.5	M10	18	185
TDVM8-618		3	389	273	775	390	345	8*18	430	22	5	80	100	22	14	9	M12	24	211
TDVM8-619	3	465	273	844	450	400	12*18	490	30	6	95	125	25	14	9	M20	34	274	



Model	Power	Fig	A	DM	L	M	N	O*S	P	Q	R	Output Shaft						Weight Kg	
												D	L1	b	h	t	S		L2
TDVM10-613	7.5	2	240	273	652	230	200	6*11	260	15	4	50	61	14	9	5.5	-	18	115
TDVM10-614		2	260	273	672	230	200	6*11	260	15	4	50	61	14	9	5.5	-	18	116
TDVM10-615		2	260	273	672	230	200	6*11	260	15	4	50	81	14	9	5.5	M10	18	116
TDVM10-616		3	308	273	713	310	270	6*11	340	20	4	60	80	18	11	7	M10	18	152
TDVM10-617		3	352	273	769	360	316	8*14	400	22	5	70	84	20	12	7.5	M10	18	198
TDVM10-618		3	389	273	815	390	345	8*18	430	22	5	80	100	22	14	9	M12	24	223
TDVM10-619	3	465	273	888	450	400	12*18	490	30	6	95	125	25	14	9	M20	34	285	
TDVM15-615	11	2	260	334	752	230	200	6*11	260	15	4	50	81	14	9	5.5	M10	18	142
TDVM15-616		3	308	334	800	310	270	6*11	340	20	4	60	80	18	11	7	M10	18	174
TDVM15-617		3	352	334	844	360	316	8*14	400	22	5	70	84	20	12	7.5	M10	18	199
TDVM15-618		3	389	334	883	390	345	8*18	430	22	5	80	100	22	14	9	M12	24	261
TDVM15-619		3	465	334	963	450	400	12*18	490	30	6	95	125	25	14	9	M20	34	311
TDVM15-620		3	502	334	1001	405	355	8*22	455	30	5	100	165	28	16	10	M20	34	334
TDVM15-621	3	526	334	1025	440	390	8*24	490	35	7	110	165	28	22	10	M20	34	413	
TDVM20-616	15	3	308	334	864	310	270	6*11	340	20	4	60	80	18	11	7	M10	18	191
TDVM20-617		3	352	334	888	360	316	8*14	400	22	5	70	84	20	12	7.5	M10	18	234
TDVM20-618		3	389	334	927	390	345	8*18	430	22	5	80	100	22	14	9	M12	24	265
TDVM20-619		3	465	334	1007	450	400	12*18	490	22	5	95	125	25	14	9	M12	24	330
TDVM20-620		3	502	334	1045	405	355	8*22	455	30	5	100	165	28	16	10	M20	34	334
TDVM20-621		3	526	334	1069	440	390	8*24	490	35	7	110	165	28	22	10	M20	34	432
TDVM20/6-623	3	628	382	1200	510	450	8*27	570	40	10	130	200	32	18	11	M24	41	647	
TDVM20/6-624	3	657	382	1225	560	485	8*33	635	40	10	140	200	36	20	12	M24	41	753	
TDVM20/6-625	3	-	-	-	-	-	-	-	-	-	-	-	-	-	-	-	-	-	
TDVM25-617	18.5	3	352	382	911	360	316	8*14	400	22	5	70	84	20	12	7.5	M12	24	301
TDVM25-618		3	389	382	950	390	345	8*18	430	22	5	80	100	22	14	9	M12	24	327
TDVM25-619		3	465	382	1026	450	400	12*18	490	30	6	95	125	25	14	9	M20	34	401
TDVM25-620		3	502	382	1064	405	355	8*22	455	30	5	100	165	28	16	10	M20	34	382
TDVM25-621		3	526	382	1088	440	390	8*24	490	35	7	110	165	28	22	10	M20	34	495
TDVM25-622		3	566	382	1128	475	415	8*27	535	35	10	120	165	32	18	11	M20	34	587
TDVM25/6-623	3	628	382	1238	510	450	8*27	570	40	10	130	200	32	18	11	M24	41	665	
TDVM25/6-624	3	657	382	1263	560	485	8*33	635	40	10	140	200	36	20	12	M24	41	711	
TDVM25/6-625	3	775	382	1390	610	535	8*33	685	45	10	160	240	40	22	13	M30	49	1059	
TDVM30-617	22	3	352	382	911	360	316	8*14	400	22	5	70	84	20	14	7.5	M12	24	301
TDVM30-618		3	389	382	950	390	345	8*18	430	22	5	80	100	22	14	9	M12	24	327
TDVM30-619		3	465	382	1026	450	400	12*18	490	30	6	95	125	25	14	9	M20	34	401
TDVM30-620		3	502	382	1064	405	355	8*22	455	30	5	100	165	28	16	10	M20	34	382
TDVM30-621		3	526	382	1088	440	390	8*24	490	35	7	110	165	28	22	10	M20	34	495
TDVM30-622		3	566	382	1128	475	415	8*27	535	35	10	120	165	32	18	11	M20	34	587
TDVM30/6-623	3	628	382	1238	510	450	8*27	570	40	10	130	200	32	18	11	M24	41	665	
TDVM30/6-624	3	657	382	1263	560	485	8*33	635	40	10	140	200	36	20	12	M24	41	711	
TDVM30/6-625	3	775	382	1390	610	535	8*33	685	45	10	160	240	40	22	13	M30	39	1059	
TDVM40-618	30	3	389	382	988	390	345	8*18	430	22	5	80	84	22	14	9	M12	24	344
TDVM40-619		3	465	382	1064	450	400	12*18	490	30	6	95	100	25	14	9	M20	34	417
TDVM40-620		3	502	382	1102	405	355	8*22	455	30	5	100	125	28	16	10	M20	34	382
TDVM40-621		3	526	382	1126	440	390	8*24	490	35	7	110	165	28	22	10	M20	34	508
TDVM40-622		3	566	382	1166	475	415	8*27	535	35	10	120	165	32	18	11	M20	34	600
TDVM40/6-623		3	628	420	1400	510	450	8*27	570	40	10	130	165	32	18	11	M24	41	739
TDVM40/6-624	3	657	420	1345	560	485	8*33	635	40	10	140	200	36	20	12	M24	41	845	
TDVM40/6-625	3	775	420	1453	610	535	8*33	685	45	10	160	200	40	22	13	M30	39	1138	
TDVM40/6-626	3	892	420	1570	660	570	8*39	750	50	10	170	300	40	22	13	M30	49	1138	
TDVM50-619	37	3	465	420	1127	450	400	12*18	490	30	6	95	100	25	14	9	M20	34	452
TDVM50-620		3	502	420	1165	405	355	8*22	455	30	5	100	125	28	16	10	M20	34	420
TDVM50-621		3	526	420	1189	440	390	8*24	490	35	7	110	165	28	22	10	M20	34	562
TDVM50-622		3	566	420	1229	475	415	8*27	535	35	10	120	165	32	18	11	M20	34	653
TDVM50/6-623		3	628	420	1400	510	450	8*27	570	40	10	130	165	32	18	11	M24	41	739
TDVM50/6-624		3	657	420	1345	560	485	8*33	635	40	10	140	200	36	20	12	M24	41	845
TDVM50/6-625	3	775	420	1453	610	535	8*33	685	45	10	160	200	40	22	13	M30	39	1138	
TDVM50/6-626	3	892	420	1570	660	570	8*39	750	50	10	170	300	40	22	13	M30	49	1388	
TDVM60-620	45	3	502	420	1165	405	355	8*22	455	30	5	100	125	28	16	10	M20	34	420
TDVM60-621		3	526	420	1189	440	390	8*24	490	35	7	110	165	28	22	10	M20	34	562
TDVM60-622		3	566	420	1229	475	415	8*27	535	35	10	120	165	32	18	11	M20	34	653
TDVM60/6-623		3	628	458	1430	510	450	8*27	570	40	10	130	165	32	18	11	M24	41	799
TDVM60/6-624		3	657	458	1383	560	485	8*33	635	40	10	140	200	36	20	12	M24	41	907
TDVM60/6-625		3	775	458	1491	610	535	8*33	685	45	10	160	200	40	22	13	M30	39	1188
TDVM60/6-626	3	892	458	1608	660	570	8*39	750	50	10	170	300	40	22	13	M30	49	1464	
TDVM75-621	55	3	526	458	1227	440	390	8*24	490	35	7	110	165	28	22	10	M20	34	655
TDVM75-622		3	566	458	1289	475	415	8*27	535	35	10	120	165	32	18	11	M20	34	736
TDVM75/6-623		3	628	542	1492	510	450	8*27	570	40	10	130	165	32	18	11	M24	41	854
TDVM75/6-624		3	657	542	1572	560	485	8*33	635	40	10	140	200	36	20	12	M24	41	956
TDVM75/6-625	3	775	542	1540	610	535	8*33	685	45	10	160	200	40	22	13	M30	39	1239	

DIMENSION DRAWING (Double Stage Reduction)

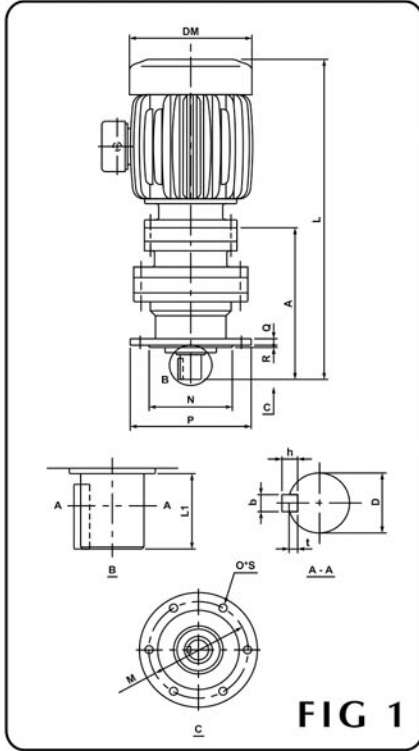


FIG 1

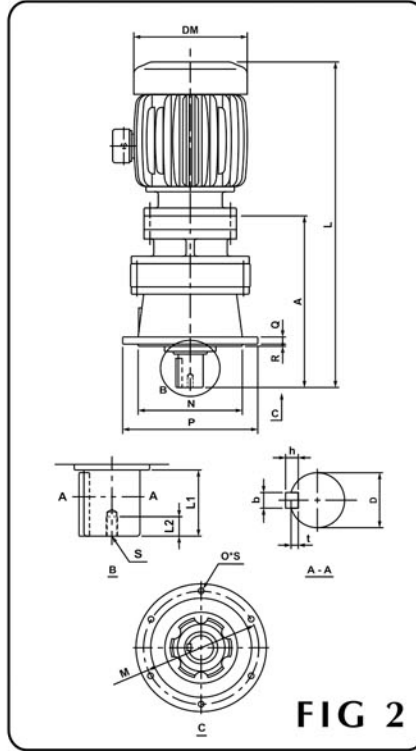


FIG 2

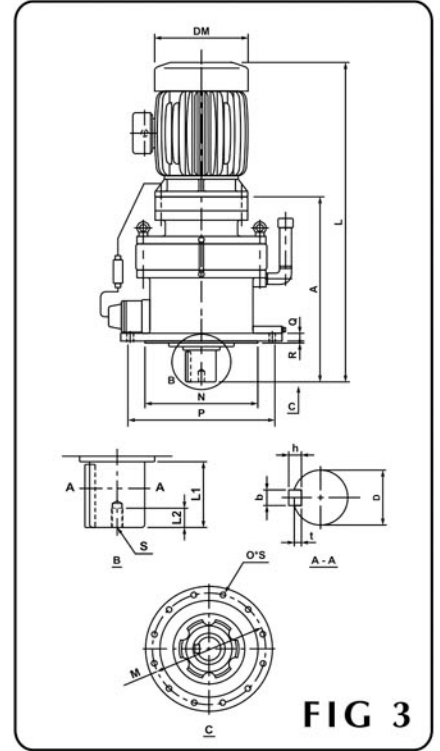


FIG 3

Model	Power	Fig	A	DM	L	M	N	O*S	P	Q	R	Output Shaft							Weight Kg	
												D	L1	b	h	t	S	L2		
TVM02-610/08	0.2	1	204	144	433	134	110	4*11	160	9	3	28	35	8	7	4	-	-	22	
TVM02-611/08		1	240	144	459	180	140	6*11	210	13	4	38	55	10	8	5	-	-	33	
TVM02-611/09		1	252	144	471	180	140	6*11	210	13	4	38	55	10	8	5	-	-	39	
TDVM02-613/08		2	294	144	513	230	200	6*11	260	15	4	50	61	14	9	5.5	M10	18	47	
TDVM02-613/09		2	303	144	522	230	200	6*11	260	15	4	50	61	14	9	5.5	M10	18	52	
TDVM02-614/08		2	314	144	533	230	200	6*11	260	15	4	50	81	14	9	5.5	M10	18	48	
TDVM02-614/09		2	323	144	542	230	200	6*11	260	15	4	50	81	14	9	5.5	M10	18	52	
TDVM02-616/09		2	374	144	592	310	270	6*11	340	20	4	60	80	18	11	7	M10	18	88	
TDVM02-617/09		2	418	144	637	360	316	8*14	400	22	5	70	84	20	12	7.5	M12	24	125	
TVM05-610/08		0.4	1	204	162	444	134	110	4*11	160	9	3	28	35	8	7	4	-	-	25
TVM05-611/08	1		240	162	480	180	140	6*11	210	13	4	38	55	10	8	5	-	-	37	
TVM05-611/09	1		252	162	497	180	140	6*11	210	13	4	38	55	10	8	5	-	-	42	
TDVM05-613/08	2		294	162	557	230	200	6*11	260	15	4	50	61	14	9	5.5	M10	18	52	
TDVM05-613/09	2		303	162	543	230	200	6*11	260	15	4	50	61	14	9	5.5	M10	18	56	
TDVM05-613/10	2		317	162	557	230	200	6*11	260	15	4	50	61	14	9	5.5	M10	18	57	
TDVM05-614/08	2		314	162	554	230	200	6*11	260	15	4	50	81	14	9	5.5	M10	18	52	
TDVM05-614/09	2		323	162	563	230	200	6*11	260	15	4	50	81	14	9	5.5	M10	18	56	
TDVM05-614/10	2		337	162	577	230	200	6*11	260	15	4	50	81	14	9	5.5	M10	18	58	
TDVM05-616/09	2		374	162	613	310	270	6*11	340	20	4	60	80	18	11	7	M10	18	92	
TDVM05-616/10	2		388	162	627	310	270	6*11	340	20	4	60	80	18	11	7	M10	18	93	
TDVM05-616/11	3		389	162	628	310	270	6*11	340	20	4	60	80	18	11	7	M10	18	95	
TDVM05-617/09	2		418	162	658	360	316	8*14	400	22	5	70	84	20	12	7.5	M12	24	127	
TDVM05-617/10	2		432	162	672	360	316	8*14	400	22	5	70	84	20	12	7.5	M12	24	130	
TDVM05-617/11	3		436	162	675	360	316	8*14	400	22	5	70	84	20	12	7.5	M12	24	132	
TDVM05-618/10	2		474	162	714	390	345	8*18	430	22	5	80	100	22	14	9	M12	24	159	
TDVM05-619/11	3		556	162	795	450	400	12*18	490	30	6	95	125	25	14	9	M20	34	233	
TDVM05-620/11	3		597	162	836	405	355	8*22	455	30	5	100	165	28	16	10	M20	34	254	
TVM1-611/09	0.75		1	252	177	491	180	140	6*11	210	13	4	38	55	10	8	5	-	-	44
TDVM1-613/09			2	303	177	542	230	200	6*11	260	15	4	50	61	14	9	5.5	M10	18	59
TDVM1-613/10		2	317	177	556	230	200	6*11	260	15	4	50	61	14	9	5.5	M10	18	59	
TDVM1-614/09		2	323	177	562	230	200	6*11	260	15	4	50	81	14	9	5.5	M10	18	59	



Model	Power	Fig	A	DM	L	M	N	O*S	P	Q	R	Output Shaft							Weight Kg	
												D	L1	b	h	t	S	L2		
TDVM1-614/10	0.75	2	337	177	576	230	200	6*11	260	15	4	50	81	14	9	5.5	M10	18	60	
TDVM1-616/09		2	374	177	612	310	270	6*11	340	20	4	60	80	18	11	7	M10	18	94	
TDVM1-616/10		2	388	177	626	310	270	6*11	340	20	4	60	80	18	11	7	M10	18	96	
TDVM1-616/11		3	389	177	637	310	270	6*11	340	20	4	60	80	18	11	7	M10	18	100	
TDVM1-617/09		2	418	177	657	360	316	8*14	400	22	5	70	84	20	12	7.5	M12	24	131	
TDVM1-617/10		2	432	177	671	360	316	8*14	400	22	5	70	84	20	12	7.5	M12	24	133	
TDVM1-617/11		3	436	177	684	360	316	8*14	400	22	5	70	84	20	12	7.5	M12	24	138	
TDVM1-618/10		2	474	177	713	390	345	8*18	430	22	5	80	100	22	14	9	M12	24	163	
TDVM1-618/13		3	466	177	740	390	345	8*18	430	22	5	80	100	22	14	9	M12	24	181	
TDVM1-619/11		3	556	177	804	450	400	12*18	490	30	6	95	125	25	14	9	M20	34	244	
TDVM1-619/13		3	572	177	816	450	400	12*18	490	30	6	95	125	25	14	9	M20	34	251	
TDVM1-620/11		3	597	177	845	405	355	8*22	455	30	5	100	165	28	16	10	M20	34	262	
TDVM1-620/13		3	624	177	868	405	355	8*22	455	30	5	100	165	28	16	10	M20	34	273	
TDVM1-621/13		3	650	177	894	440	390	8*24	490	35	7	110	165	28	16	10	M20	34	329	
TDVM1-622/13		3	692	177	936	475	415	8*27	535	35	10	120	165	32	18	11	M20	34	419	
TDVM2-613/10		1.5	2	317	200	593	230	200	6*11	260	15	4	50	61	14	9	5.5	M10	18	68
TDVM2-614/10	2		337	200	613	230	200	6*11	260	15	4	50	81	14	9	5.5	M10	18	69	
TDVM2-616/10	2		388	200	663	310	270	6*11	340	20	4	60	80	18	11	7	M10	18	105	
TDVM2-616/11	3		389	200	674	310	270	6*11	340	20	4	60	80	18	11	7	M10	18	111	
TDVM2-617/10	2		432	200	708	360	316	8*14	400	22	5	70	84	20	12	7.5	M12	24	142	
TDVM2-617/11	3		436	200	721	360	316	8*14	400	22	5	70	84	20	12	7.5	M12	24	149	
TDVM2-618/10	2		474	200	750	390	345	8*18	430	22	5	80	100	22	14	9	M12	24	172	
TDVM2-618/13	3		466	200	780	390	345	8*18	430	22	5	80	100	22	14	9	M12	24	193	
TDVM2-619/11	3		556	200	841	450	400	12*18	490	30	6	95	125	25	14	9	M20	34	253	
TDVM2-619/13	3		572	200	856	450	400	12*18	490	30	6	95	125	25	14	9	M20	34	263	
TDVM2-620/11	3		597	200	882	405	355	8*22	455	30	5	100	165	28	16	10	M20	34	269	
TDVM2-620/13	3		624	200	908	405	355	8*22	455	30	5	100	165	28	16	10	M20	34	284	
TDVM2-621/13	3		650	200	934	440	390	8*24	490	35	7	110	165	28	16	10	M20	34	342	
TDVM2-622/13	3		692	200	976	475	415	8*27	535	35	10	120	165	32	18	11	M20	34	432	
TDVM3-613/10	2.2		2	317	219	619	230	200	6*11	260	15	4	50	61	14	9	5.5	M10	18	80
TDVM3-614/10			2	337	219	640	230	200	6*11	260	15	4	50	81	14	9	5.5	M10	18	81
TDVM3-616/10		2	388	219	690	310	270	6*11	340	20	4	60	80	18	11	7	M10	18	117	
TDVM3-616/11		3	389	219	700	310	270	6*11	340	20	4	60	80	18	11	7	M10	18	126	
TDVM3-617/10		2	432	219	735	360	316	8*14	400	22	5	70	84	20	12	7.5	M12	24	154	
TDVM3-617/11		3	436	219	747	360	316	8*14	400	22	5	70	84	20	12	7.5	M12	24	161	
TDVM3-618/10		2	474	219	799	390	345	8*18	430	22	5	80	100	22	14	9	M12	24	184	
TDVM3-618/13		3	466	219	807	390	345	8*18	430	22	5	80	100	22	14	9	M12	24	205	
TDVM3-619/11		3	556	219	867	450	400	12*18	490	30	6	95	125	25	14	9	M20	34	265	
TDVM3-619/13		3	572	219	883	450	400	12*18	490	30	6	95	125	25	14	9	M20	34	274	
TDVM3-620/11		3	597	219	908	405	355	8*22	455	30	5	100	165	28	16	10	M20	34	275	
TDVM3-620/13		3	624	219	935	405	355	8*22	455	30	5	100	165	28	16	10	M20	34	294	
TDVM3-621/13		3	650	219	961	440	390	8*24	490	35	7	110	165	28	16	10	M20	34	354	
TDVM3-621/16		3	675	219	989	440	390	8*24	490	35	7	110	165	28	16	10	M20	34	365	
TDVM3-622/13		3	692	219	1003	475	415	8*27	535	35	10	120	165	32	18	11	M20	34	444	
TDVM3-623/16		3	779	219	1092	510	450	8*27	570	40	10	130	200	32	18	11	M24	41	526	
TDVM3-624/16	3	816	219	1130	560	485	8*33	635	40	10	140	200	36	20	12	M24	41	622		
TDVM5-616/11	3.7	3	389	238	716	310	270	6*11	340	20	4	60	80	18	11	7	M10	18	135	
TDVM5-617/11		3	436	238	763	360	316	8*14	400	22	5	70	84	20	12	7.5	M12	24	168	
TDVM5-618/13		3	466	238	826	390	345	8*18	430	22	5	80	100	22	14	9	M12	24	210	
TDVM5-619/11		3	556	238	883	450	400	12*18	490	30	6	95	125	25	14	9	M20	34	274	
TDVM5-619/13		3	572	238	902	450	400	12*18	490	30	6	95	125	25	14	9	M20	34	283	
TDVM5-620/11		3	597	238	924	405	355	8*22	455	30	5	100	165	28	16	10	M20	34	281	
TDVM5-620/13		3	624	238	954	405	355	8*22	455	30	5	100	165	28	16	10	M20	34	303	
TDVM5-621/13		3	650	238	980	440	390	8*24	490	35	7	110	165	28	16	10	M20	34	361	
TDVM5-621/16		3	675	238	1008	440	390	8*24	490	35	7	110	165	28	16	10	M20	34	375	



DIMENSION DRAWING

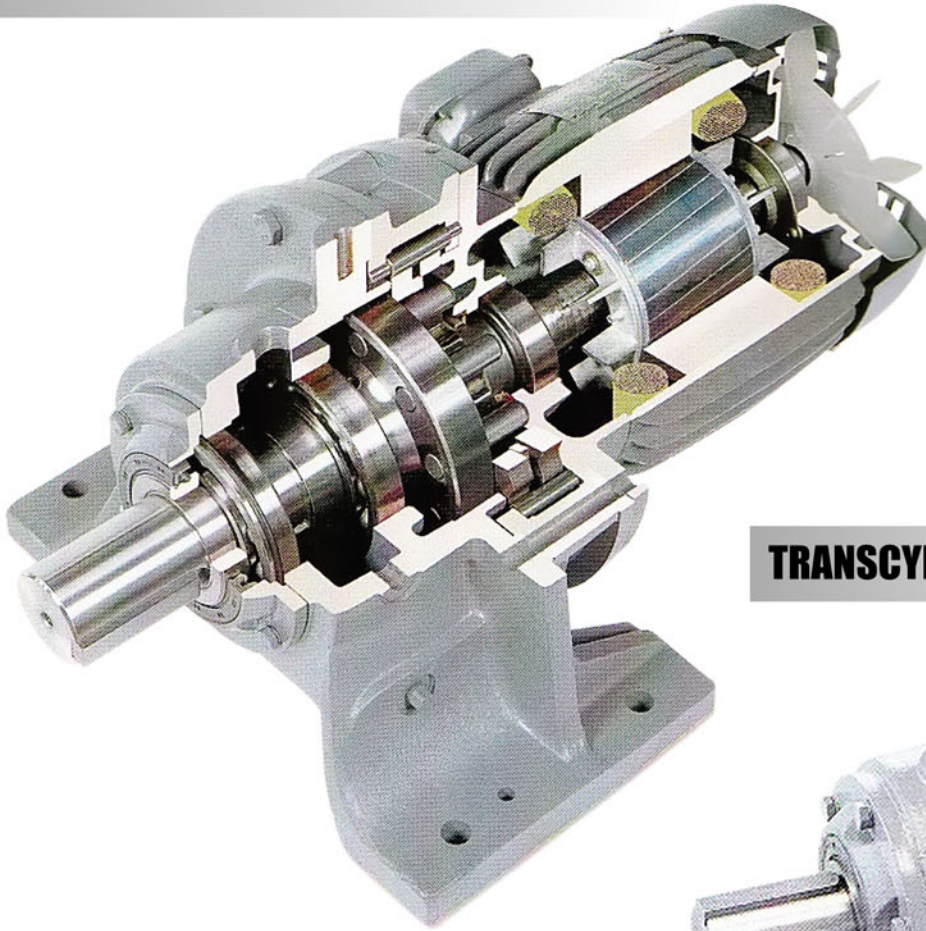
(Double Stage Reduction)

Model	Power	Fig	A	DM	L	M	N	O*S	P	Q	R	Output Shaft							Weight Kg	
												D	L1	b	h	t	S	L2		
TDVM5-622/13	3.7	3	692	238	1022	475	415	8*27	535	35	10	120	165	32	18	11	M20	34	449	
TDVM5-622/17		3	735	238	1080	475	415	8*27	535	35	10	120	165	32	18	11	M20	34	437	
TDVM5-623/16		3	779	238	1111	510	450	8*27	570	40	10	130	200	32	18	11	M24	41	548	
TDVM5-624/16		3	816	238	1149	560	485	8*33	635	40	10	140	200	36	20	12	M24	41	634	
TDVM5-625/17		3	956	238	1301	610	535	8*33	685	45	10	160	240	40	22	13	M30	49	968	
TDVM8-618/13	5.5	3	466	273	870	390	345	8*18	430	22	5	80	100	22	14	9	M12	24	216	
TDVM8-619/13		3	572	273	902	450	400	12*18	490	30	6	95	125	25	14	9	M20	34	289	
TDVM8-620/13		3	624	273	998	405	355	8*22	455	30	5	100	165	28	16	10	M20	34	311	
TDVM8-621/13		3	650	273	1024	440	390	8*24	490	35	7	110	165	28	16	10	M20	34	365	
TDVM8-621/16		3	675	273	1042	440	390	8*24	490	35	7	110	165	28	16	10	M20	34	384	
TDVM8-622/13		3	692	273	1066	475	415	8*27	535	35	10	120	165	32	18	11	M20	34	453	
TDVM8-622/17		3	735	273	1114	475	415	8*27	535	35	10	120	165	32	18	11	M20	34	450	
TDVM8-623/16		3	779	273	1145	510	450	8*27	570	40	10	130	200	32	18	11	M24	41	556	
TDVM8-624/16		3	816	273	1183	560	485	8*33	635	40	10	140	200	36	20	12	M24	41	650	
TDVM8-625/17		3	956	273	1335	610	535	8*33	685	45	10	160	240	40	22	13	M30	49	984	
TDVM8-626/19		3	1088	273	1473	660	570	8*39	750	50	10	170	300	40	22	13	M30	49	1181	
TDVM8-627/19		3	1349	273	1734	1020	900	8*39	1160	60	10	180	320	45	25	15	M30	52	2681	
TDVM10-618/13		7.5	3	466	273	908	390	345	8*18	430	22	5	80	100	22	14	9	M12	24	222
TDVM10-619/13			3	572	273	984	450	400	12*18	490	30	6	95	125	25	14	9	M20	34	301
TDVM10-620/13			3	624	273	1036	405	355	8*22	455	30	5	100	165	28	16	10	M20	34	313
TDVM10-621/13	3		650	273	1062	440	390	8*24	490	35	7	110	165	28	16	10	M20	34	373	
TDVM10-621/16	3		675	273	1080	440	390	8*24	490	35	7	110	165	28	16	10	M20	34	387	
TDVM10-622/13	3		692	273	1104	475	415	8*27	535	35	10	120	165	32	18	11	M20	34	461	
TDVM10-622/17	3		735	273	1152	475	415	8*27	535	35	10	120	165	32	18	11	M20	34	462	
TDVM10-623/16	3		779	273	1183	510	450	8*27	570	40	10	130	200	32	18	11	M24	41	569	
TDVM10-623/18	3		801	273	1226	510	450	8*27	570	40	10	130	200	32	18	11	M24	41	572	
TDVM10-624/16	3		816	273	1221	560	485	8*33	635	40	10	140	200	36	20	12	M24	41	665	
TDVM10-624/18	3		837	273	1263	560	485	8*33	635	40	10	140	200	36	20	12	M24	41	655	
TDVM10-625/17	3		956	273	1373	610	535	8*33	685	45	10	160	240	40	22	13	M30	49	993	
TDVM10-625/19	3		979	273	1401	610	535	8*33	685	45	10	160	240	40	22	13	M30	49	1001	
TDVM10-626/19	3		1088	273	1511	660	570	8*39	750	50	10	170	300	40	22	13	M30	49	1193	
TDVM10-627/19	3		1349	273	1772	1020	900	8*39	1160	60	10	180	320	45	25	15	M30	52	2713	
TDVM15-621/16	11	3	675	334	1167	440	390	8*24	490	35	7	110	165	28	16	10	M20	34	412	
TDVM15-622/17		3	735	334	1227	475	415	8*27	535	35	10	120	165	32	18	11	M20	34	513	
TDVM15-623/16		3	779	334	1270	510	450	8*27	570	40	10	130	200	32	18	11	M24	41	603	
TDVM15-623/18		3	801	334	1294	510	450	8*27	570	40	10	130	200	32	18	11	M24	41	656	
TDVM15-624/16		3	816	334	1308	560	485	8*33	635	40	10	140	200	36	20	12	M24	41	697	
TDVM15-624/18		3	837	334	1331	560	485	8*33	635	40	10	140	200	36	20	12	M24	41	688	
TDVM15-625/17		3	956	334	1448	610	535	8*33	685	45	10	160	240	40	22	13	M30	49	1035	
TDVM15-625/19		3	979	334	1476	610	535	8*33	685	45	10	160	240	40	22	13	M30	49	1057	
TDVM15-626/19		3	1088	334	1586	660	570	8*39	750	50	10	170	300	40	22	13	M30	49	1324	
TDVM15-627/19		3	1349	334	1847	1020	900	8*39	1160	60	10	180	320	45	25	15	M30	52	2740	
TDVM20-622/17		15	3	735	334	1271	475	415	8*27	535	35	10	120	165	32	18	11	M20	34	567
TDVM20-623/16			3	779	334	1314	510	450	8*27	570	40	10	130	200	32	18	11	M24	41	622
TDVM20-623/18			3	801	334	1338	510	450	8*27	570	40	10	130	200	32	18	11	M24	41	661
TDVM20-624/16			3	816	334	1352	560	485	8*33	635	40	10	140	200	36	20	12	M24	41	716
TDVM20-624/18			3	837	334	1375	560	485	8*33	635	40	10	140	200	36	20	12	M24	41	748
TDVM20-625/17	3		956	334	1492	610	535	8*33	685	45	10	160	240	40	22	13	M30	49	1041	
TDVM20-625/19	3		979	334	1520	610	535	8*33	685	45	10	160	240	40	22	13	M30	49	1108	
TDVM20-626/19	3		1088	334	1630	660	570	8*39	750	50	10	170	300	40	22	13	M30	49	1374	
TDVM20-627/19	3		1349	334	1891	1020	900	8*39	1160	60	10	180	320	45	25	15	M30	52	2759	
TDVM25-623/18	18.5		3	801	382	1361	510	450	8*27	570	40	10	130	200	32	18	11	M24	41	723
TDVM25-624/18			3	837	382	1398	560	485	8*33	635	40	10	140	200	36	20	12	M24	41	812
TDVM25-625/17			3	956	382	1517	610	535	8*33	685	45	10	160	240	40	22	13	M30	49	1105
TDVM25-625/19			3	979	382	1539	610	535	8*33	685	45	10	160	240	40	22	13	M30	49	1181

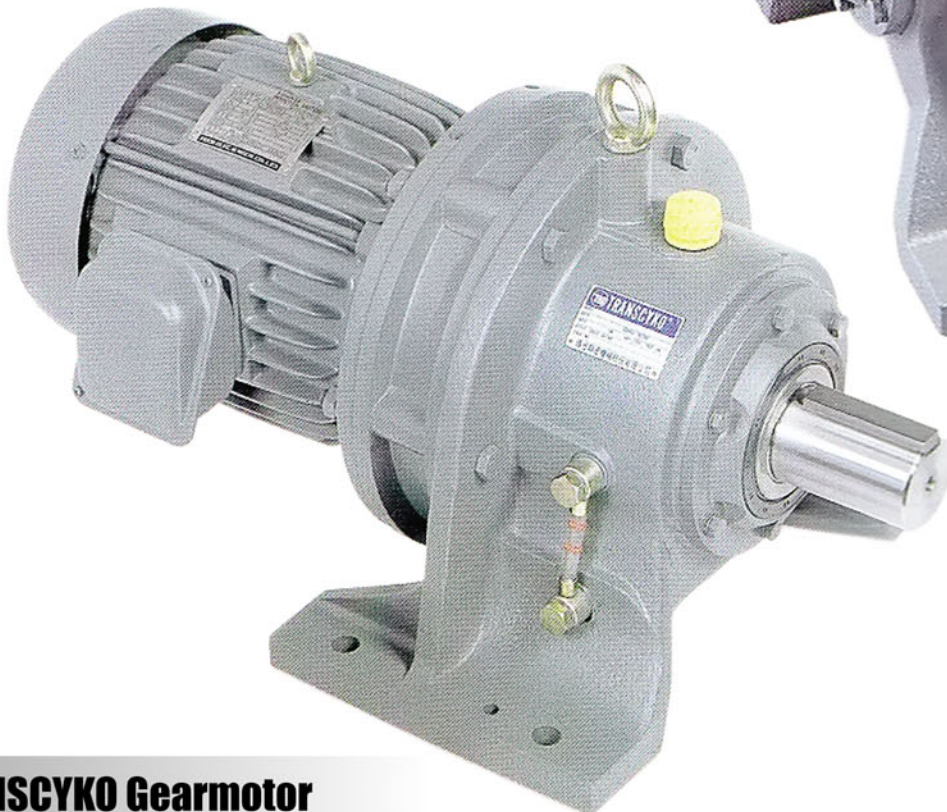
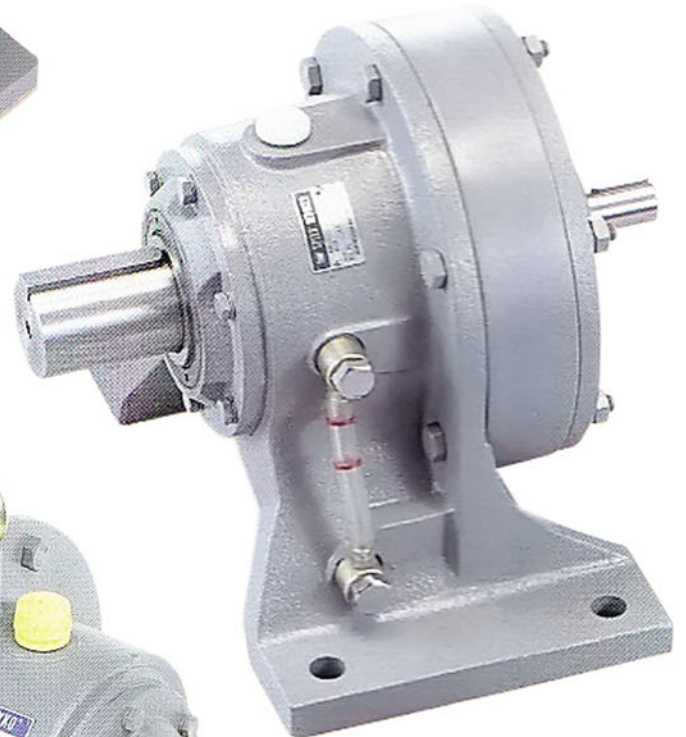


Model	Power	Fig	A	DM	L	M	N	O*S	P	Q	R	Output Shaft						Weight Kg	
												D	L1	b	h	t	S		L2
TDVM25-626/19	18.5	3	1088	382	1649	660	570	8*39	750	50	10	170	300	40	22	13	M30	49	1451
TDVM25-627/19		3	1349	382	1910	1020	900	8*39	1160	60	10	180	320	45	25	15	M30	52	2834
TDVM30-623/18	22	3	801	382	1361	510	450	8*27	570	40	10	130	200	32	18	11	M24	41	723
TDVM30-624/18		3	837	382	1398	560	485	8*33	635	40	10	140	200	36	20	12	M24	41	812
TDVM30-625/17		3	956	382	1517	610	535	8*33	685	45	10	160	240	40	22	13	M30	49	1105
TDVM30-625/19		3	979	382	1539	610	535	8*33	685	45	10	160	240	40	22	13	M30	49	1181
TDVM30-626/19		3	1088	382	1649	660	570	8*39	750	50	10	170	300	40	22	13	M30	49	1451
TDVM30-627/19		3	1349	382	1910	1020	900	8*39	1160	60	10	180	320	45	25	15	M30	52	2834
TDVM40-625/19	30	3	979	382	1577	610	535	8*33	685	45	10	160	240	40	22	13	M30	49	1195
TDVM40-626/19		3	1088	382	1687	660	570	8*39	750	50	10	170	300	40	22	13	M30	49	1465
TDVM40-627/19		3	1349	382	1948	1020	900	8*39	1160	60	10	180	320	45	25	15	M30	52	2850
TDVM50-626/19	37	3	1088	420	1750	660	5750	8*39	750	50	10	170	300	40	22	13	M30	49	1499
TDVM50-627/19		3	1349	420	2011	1020	900	8*39	1160	60	10	180	320	45	25	15	M30	52	2883

Transcyko Cycloidal Speed Reducers (productions) series

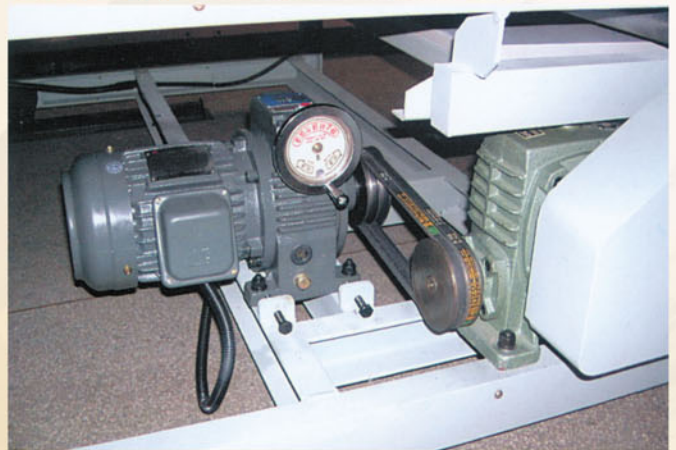


TRANSCYKO Speed Reducer



TRANSCYKO Gearmotor

APPLICATION OF TS PRODUCTS





TRANSCYKO®

CYCLOIDAL SPEED REDUCERS

Transmission Machinery Co., Ltd



PT INTERJAYA SURYA MEGAH

Head Office :

Jl. Rungkut Industri III / 55
Surabaya 60293 - Indonesia
Phone. (031) 849 7070 (Hunting)
Fax. (031) 842 0212, 842 0390
E-mail: support@interjaya.com
Website: www.interjaya.com

Branch Office :

Komplek Pergudangan Arcadia
Blok G12 No. 10, Jl. Daan Mogot Km 21.5
Tangerang - Indonesia
Phone. (021) 2900 6565 (Hunting)
Fax. (021) 2900 6547, 2900 6548
E-mail: ism@interjaya.com

Rep. Office :

Jl. Tol Jakarta Cikampek Km 37
Ruko Spanish Square Blok B No. 6
Kota Deltamas - Cikarang - Bekasi 17500
Phone. (021) 899 700 10 (Hunting), 713 703 74
Fax. (021) 899 705 55
E-mail: ism.ckr@interjaya.com

Rep. Office :

Ruko Cabaret Blok KF 02 No. 12
Komplek Mardigras Perum. Citra Raya
Cikupa - Tangerang
Phone. (021) 2900 3600 (Hunting)
Fax. (021) 2900 3516
E-mail: ism.cikupa@interjaya.com

Rep. Office :

Kawasan Industri Candi
Jl. Gatot Subroto Blok XVI No. 6
Semarang - Jawa Tengah
Phone. (024) 7692 8989 (Hunting)
Fax. (024) 7692 8988
E-mail: ismsemarang@interjaya.com